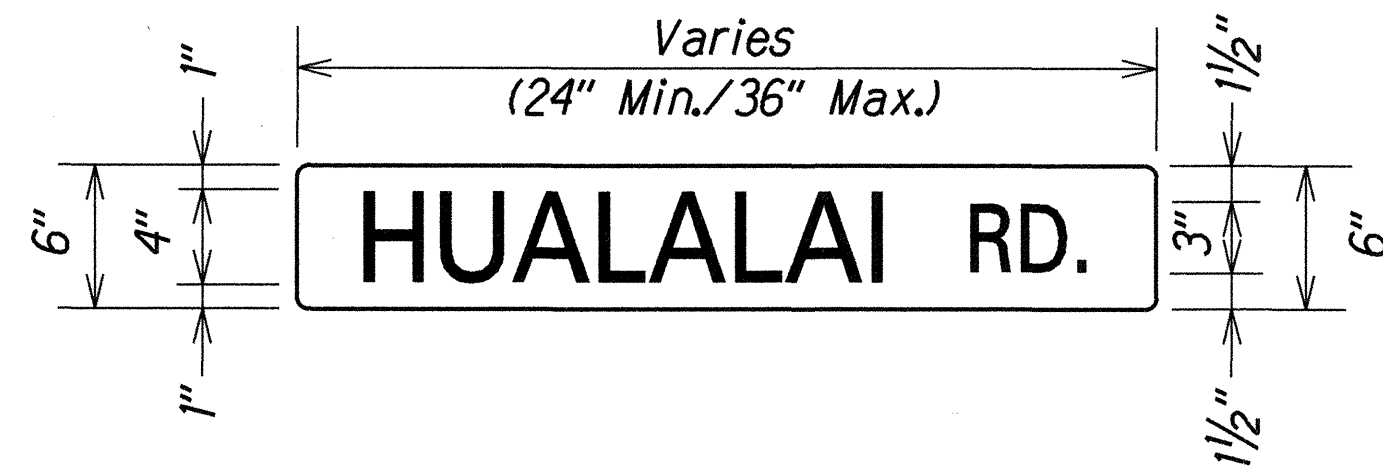
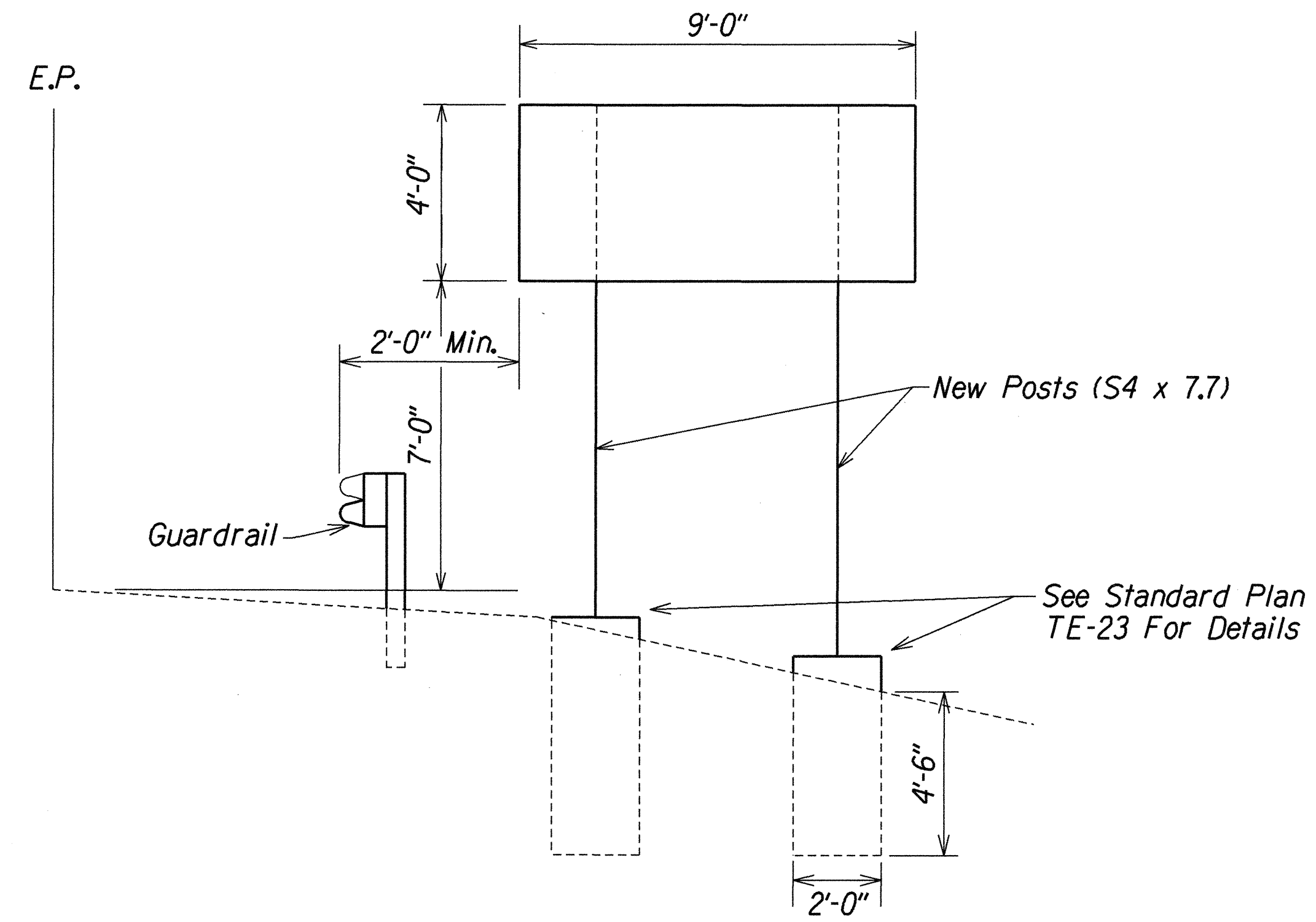


FED. ROAD DIST. NO.	STATE	PROJ. NO.	FISCAL YEAR	SHEET NO.	TOTAL SHEETS
HAWAII	HAW.	11A-01-02	2003	18	30



W16-8: SUPPLEMENTAL STREET NAME SIGN (2 Total)

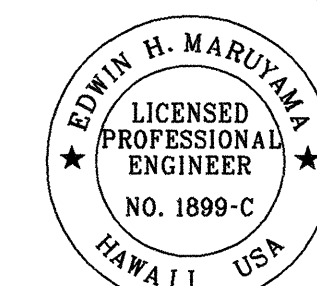
Lettering: Black (Non-Reflectorized)
Background: Yellow (Reflectorized)



EXISTING DESTINATION SIGN

Scale: $\frac{3}{8}''=1'-0''$

ORIGINAL PLAN	SURVEY PLOTTED BY	DATE
NOTE BOOK	DRAWN BY	
	TRACED BY	
	DESIGNED BY	
	CHECKED BY	



THIS WORK WAS PREPARED BY ME OR UNDER MY SUPERVISION

Edwin H. Maruyama
FUJITA & ASSOCIATES INC.

STATE OF HAWAII
DEPARTMENT OF TRANSPORTATION
HIGHWAYS DIVISION

SIGN DETAILS

*Hawaii Belt Road
Intersection Improvements
At Police Station Road and Hualalai Road
Project No. 11A-01-02*

Scale: As Shown Date: Dec., 2002

SHEET No. DSI OF 1 SHEETS