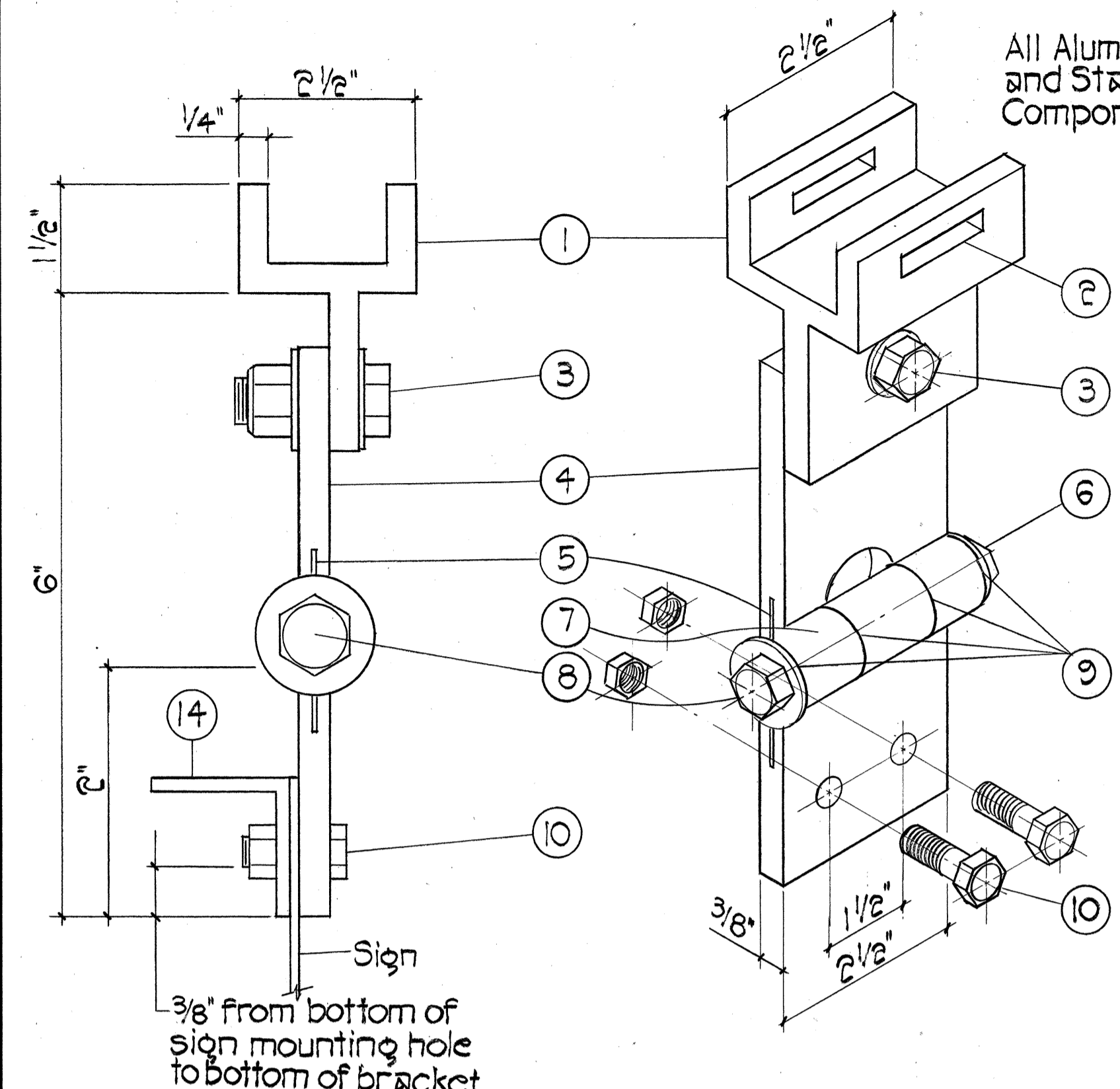


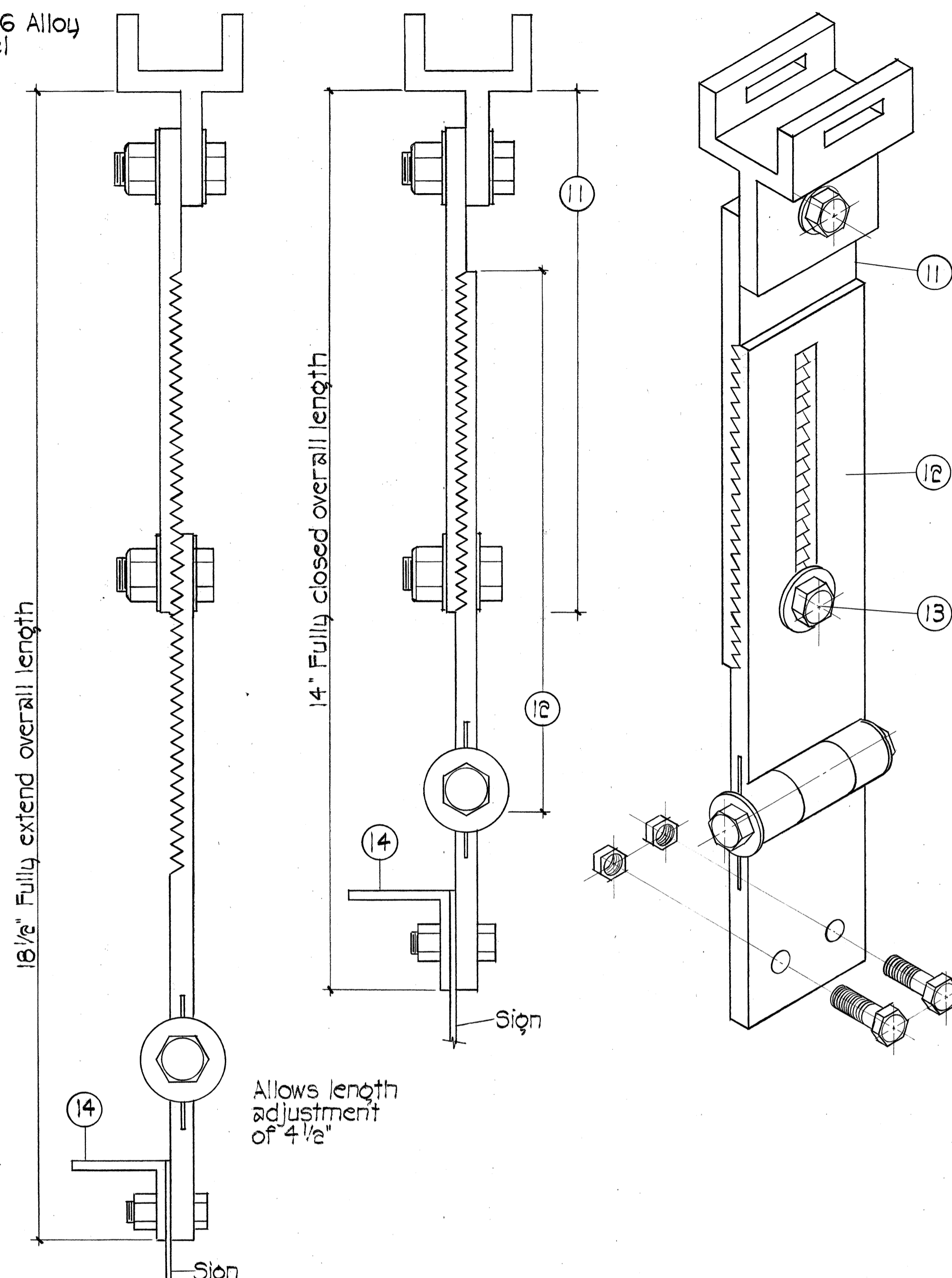
FED. ROAD DIST. NO.	STATE	FED. AID PROJ. NO.	FISCAL YEAR	SHEET NO.	TOTAL SHEETS
HAWAII	HAW.	STP-011-2(32)	1999	30	34



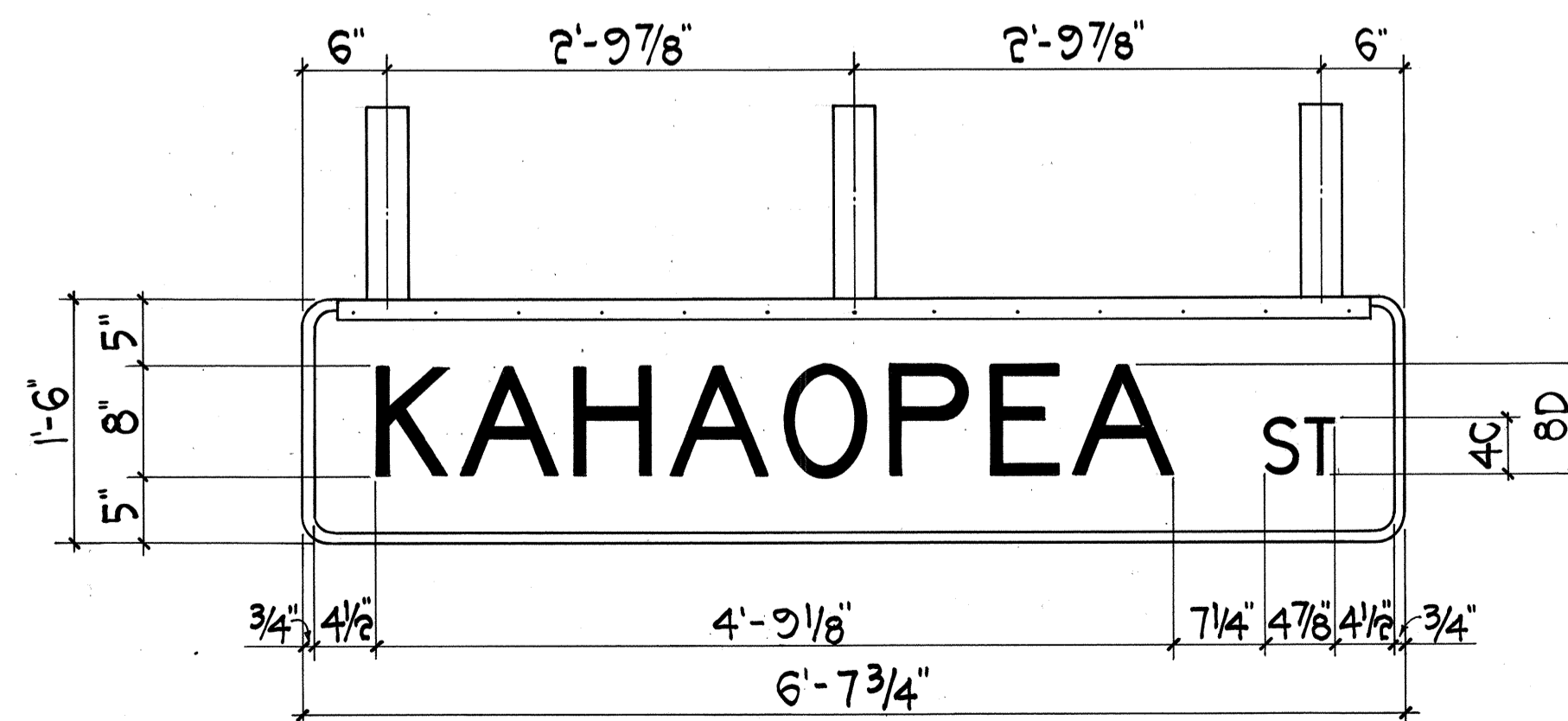
FIXED LENGTH NON-ADJUSTABLE SWING SIGN BRACKET
Not to Scale

- ① Pivotal Upper Bracket
- ② 1 5/8" x 1/4" Slot for double strapping to electrolier mast arm. (MEG-345(HD) .030" x 3/4" heavy duty stainless steel strap with MEG-34B(HD) buckle recommended.
- ③ 1/2" - 13 x 1 1/8" Stainless steel hex head bolt with stainless steel hex lock nut and 1/16" stainless steel washer (both sides). Allows upper bracket to pivot and align with electrolier mast arm.
- ④ 6" Overall drop with fixed length sign bracket.
- ⑤ Stainless steel dampener spring (removable).
- ⑥ Stainless steel hex lock nut with 1/16" stainless steel washer.
- ⑦ 1" O.D. Axle housing
- ⑧ 1/2" - 13 x 4" Stainless steel hex head bolt with 1/16" stainless steel washer.
- ⑨ Oilite bushing
- ⑩ Sign mounting sets, consisting of two each 5/16" - 18 x 1" stainless steel hex head bolt with stainless steel hex lock nut. Two holes on 1 1/2" centers provide positive lock sign mounting to bracket.
- ⑪ 8 1/4" overall length upper adjustable sign bracket section.
- ⑫ 9" overall length lower adjustable sign bracket section, including axle housing (8" overall length to top of axle housing).
- ⑬ 1/2" - 13 x 1 1/8" Stainless steel hex bolt with stainless steel hex lock nut and 1/16" stainless steel washers (both sides). Loosen lock nut, adjust bracket teeth to level sign.
- ⑭ 1 1/4" x 1 1/4" x 1/8" Aluminum angle.

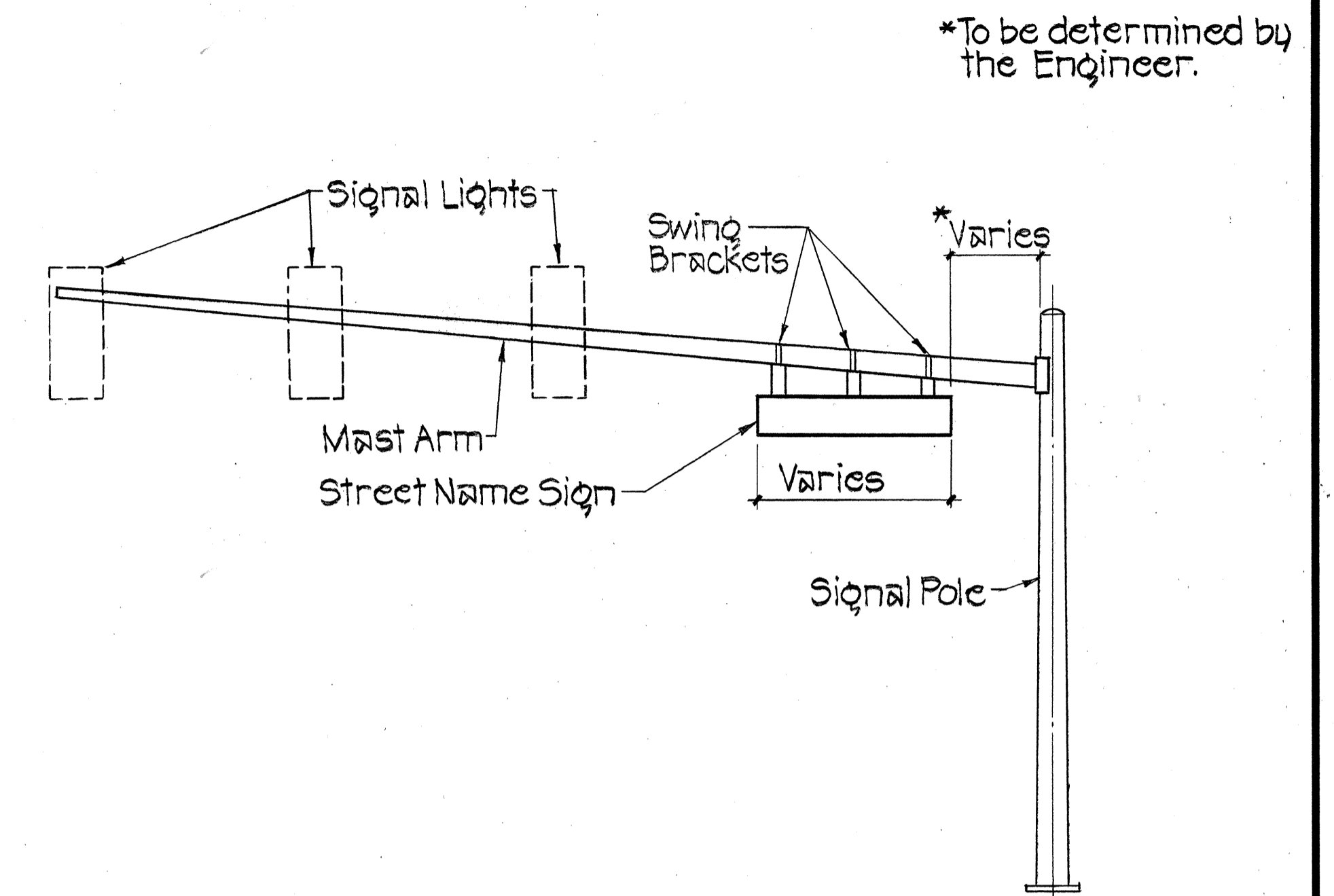
Note: Dimension may vary slightly.



ADJUSTABLE LENGTH SWING SIGN BRACKET
Not to Scale



**REAR VIEW
KAHAOPEA STREET SIGN DETAIL**
Not to Scale



STREET NAME SIGN MOUNTING ON MAST ARM
Not to Scale

NOTES:

1. All Street Name Signs shall conform to Section 621 of the Standard Specifications and the latest editions and amendments of the following FHWA publications:
 - a. "Manual on Uniform Traffic Control Devices for Streets and Highways" (MUTCD).
 - b. "Standard Highway Signs".
 - c. "Standard Alphabets for Highway Signs"
2. Colors
Legend - White (Reflectorized)
Background - Green (Reflectorized)
3. All panel shall be reflectorized with Type B reflective sheeting in accordance with Section 712.20 of the Standard Specifications.
4. The Contractor shall provide the same message on the front and back side of the sign.
5. Borders and messages shall conform to details as shown on the Plans and as specified in the MUTCD.
6. Sign mounting brackets, aluminum angle, fixtures, fasteners and all necessary hardware and equipment, tools, labor materials and other incidentals for installation, will not be paid for separately but shall be considered incidental to the Street Name Sign installed complete.

SURVEY PLOTTED BY	DATE
DESIGNED BY	
TRACED BY	
NOTE BOOK	
QUANTITIES BY	
CHECKED BY	
No.	

HAROLD I. YOSHIZAKI
LICENSED PROFESSIONAL ENGINEER
No. 2091-C
HAWAII, U.S.A.
THIS WORK WAS PREPARED BY ME OR UNDER MY SUPERVISION.
Harold I. Yoshizaki
SHIMABUKURO, ENDO & YOSHIZAKI, INC.
1126 12th Avenue
Honolulu, Hawaii 96816

STATE OF HAWAII
DEPARTMENT OF TRANSPORTATION
HIGHWAYS DIVISION
STREET NAME SIGN & MOUNTING DETAIL
KANOELEHUA AVENUE
TRAFFIC SIGNAL MODERNIZATION
F.A. PROJ. NO. STP-011-2(32)
SCALE: AS SHOWN DATE: OCT. 1998
SHEET NO. 1 OF 1 SHEETS