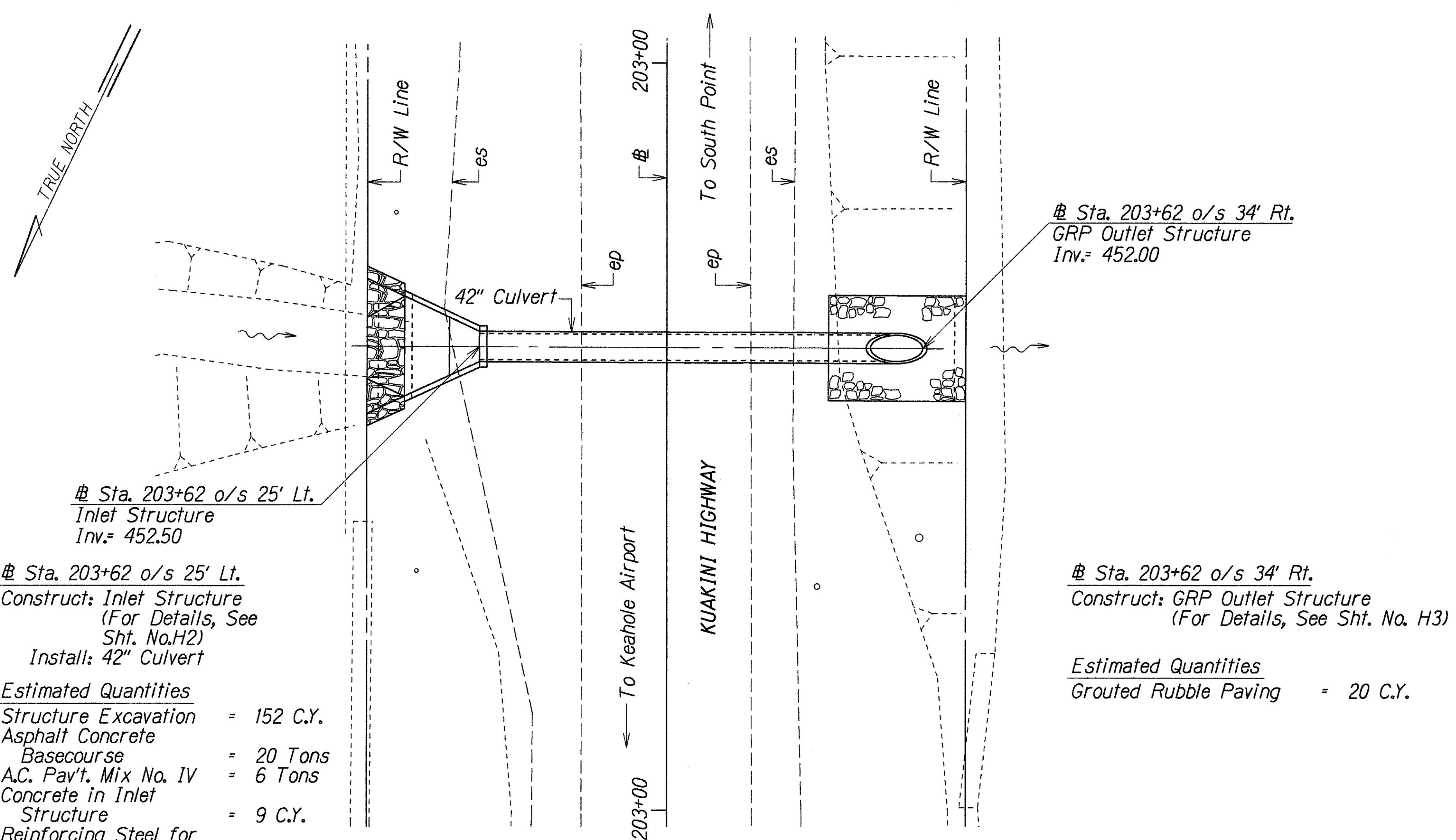


FED. ROAD DIST. NO.	STATE	FED. AID PROJ. NO.	FISCAL YEAR	SHEET NO.	TOTAL SHEETS
HAWAII	HAW.	STP-011-1(23)	1998	3	6



Sta. 203+62 o/s 25' Lt.
 Construct: Inlet Structure
 (For Details, See Sht. No.H2)
 Install: 42" Culvert

Estimated Quantities
 Structure Excavation = 152 C.Y.
 Asphalt Concrete Basecourse = 20 Tons
 A.C. Pav't. Mix No. IV = 6 Tons
 Concrete in Inlet Structure = 9 C.Y.
 Reinforcing Steel for Inlet Structure = 620 LB.
 Bed Course Material = 15 C.Y.
 42" Culvert = 59 L.F.
 Grouted Rubble Paving = 31 C.Y.

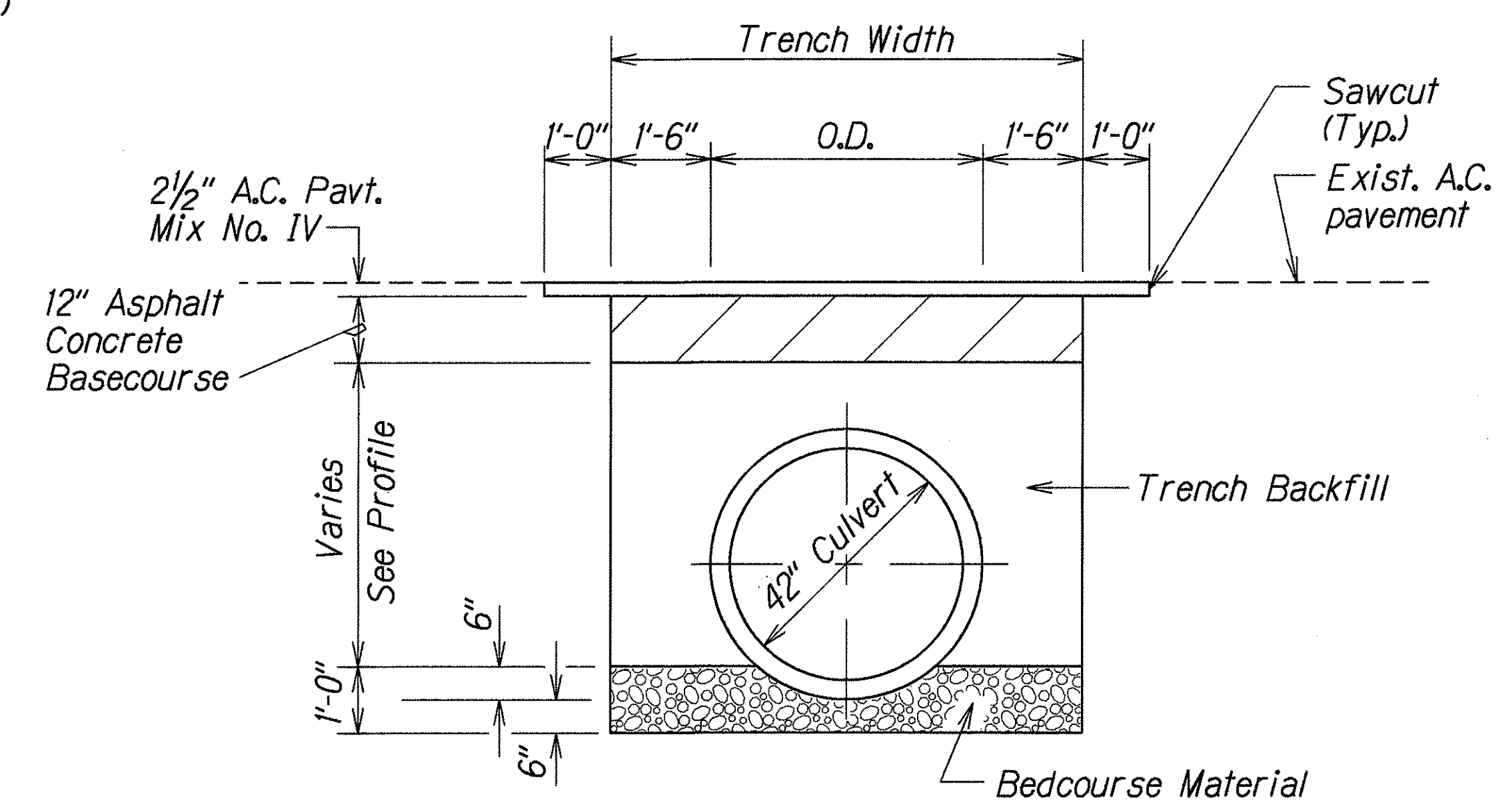
Sta. 203+62 o/s 34' Rt.
 Construct: GRP Outlet Structure
 (For Details, See Sht. No. H3)

Estimated Quantities
 Grouted Rubble Paving = 20 C.Y.

PLAN
Scale: 1"=10'

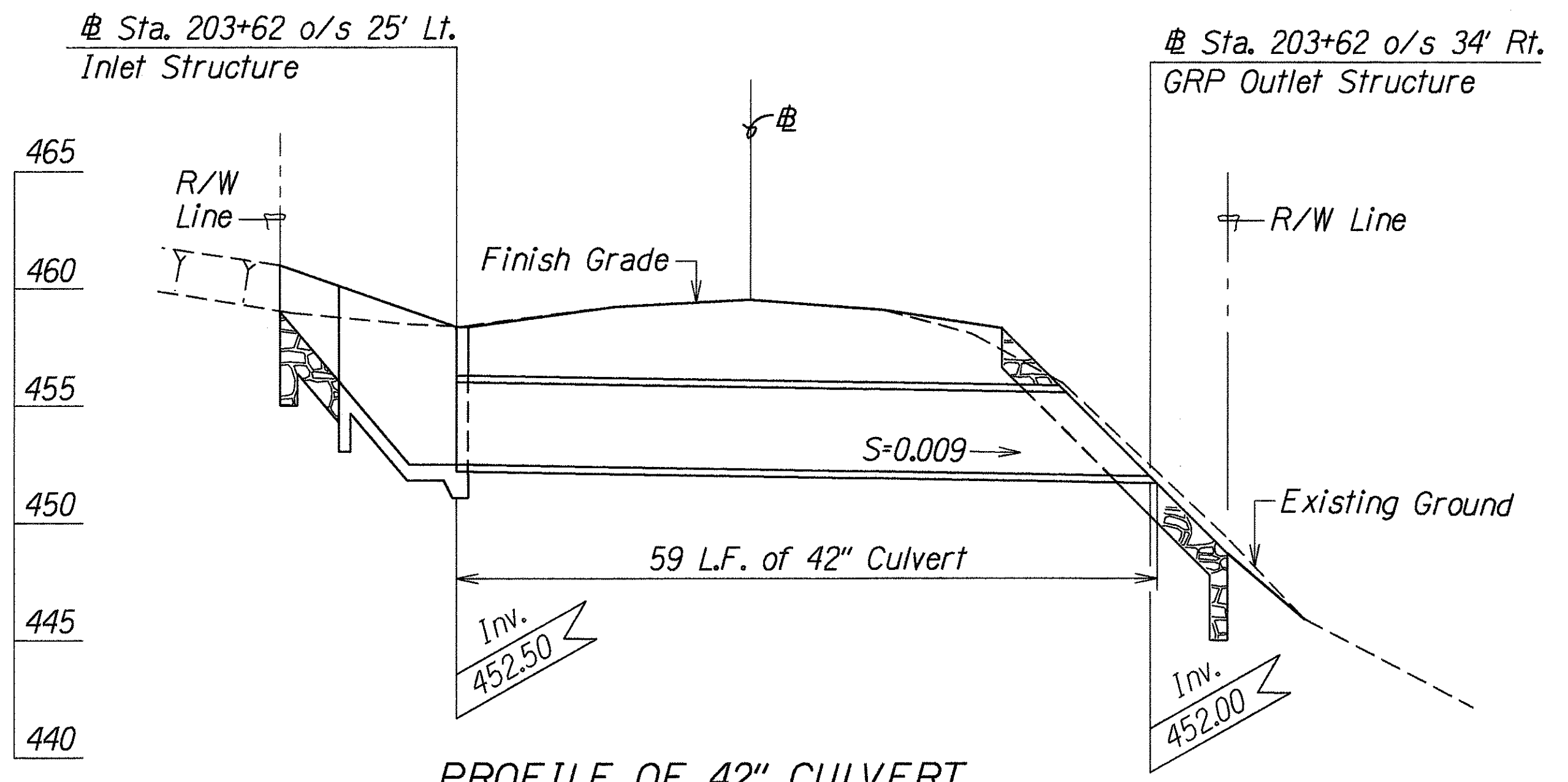
GENERAL NOTES

1. The scope of work for this project consists of excavating; installing a 42" culvert; backfilling; constructing inlet and outlet structures; installing metal guardrails; and restoring highway pavement structure.
2. Existing drainage systems will be functional at all times during construction. The Contractor is to furnish materials, equipment, labor, tools and incidentals necessary to accomplish maintenance of flow. The cost shall be incidental to the various Contract Items.
3. The Contractor shall verify the locations of all existing utilities in the field. Any existing utilities damaged during construction shall be repaired or replaced by the Contractor at his own expense.
4. Cutting culvert flush with GRP will not be paid for separately but shall be considered incidental to the 42-Inch Culvert.



CULVERT TRENCH AND PAVEMENT RESTORATION DETAIL

Scale: 1/2"=1'-0"



PROFILE OF 42" CULVERT
Scale: H=1"=10'
V=1"=5'

SURVEY PLOTTED BY: DATE: 3/17/98
 DRAWN BY: A. Monilla
 DESIGNED BY: C. Matsuda, K. Kasahiro
 CHECKED BY: S. Kikuchi

STATE OF HAWAII
 DEPARTMENT OF TRANSPORTATION
 HIGHWAYS DIVISION

DRAINAGE PLAN
 KUAKINI HIGHWAY DRAINAGE IMPROVEMENTS
 Vicinity of Kaunalumalu Stream
 Fed. Aid Project No. STP-011-1(23)
 Scale: As Shown Date: Apr. 1998
 SHEET No. H1 OF 3 SHEETS