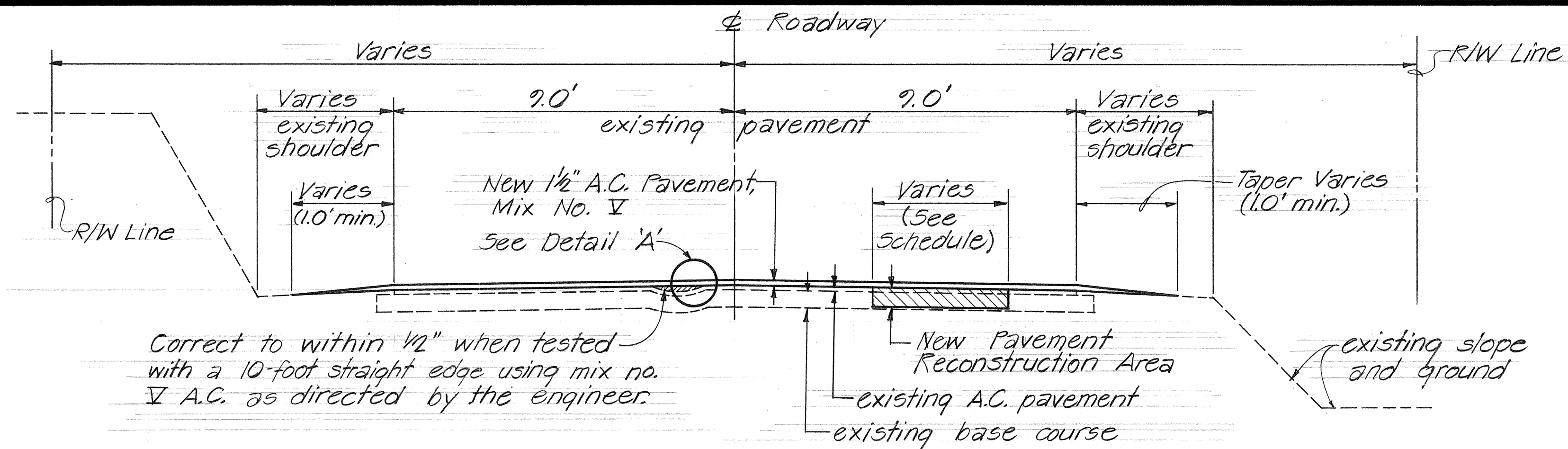
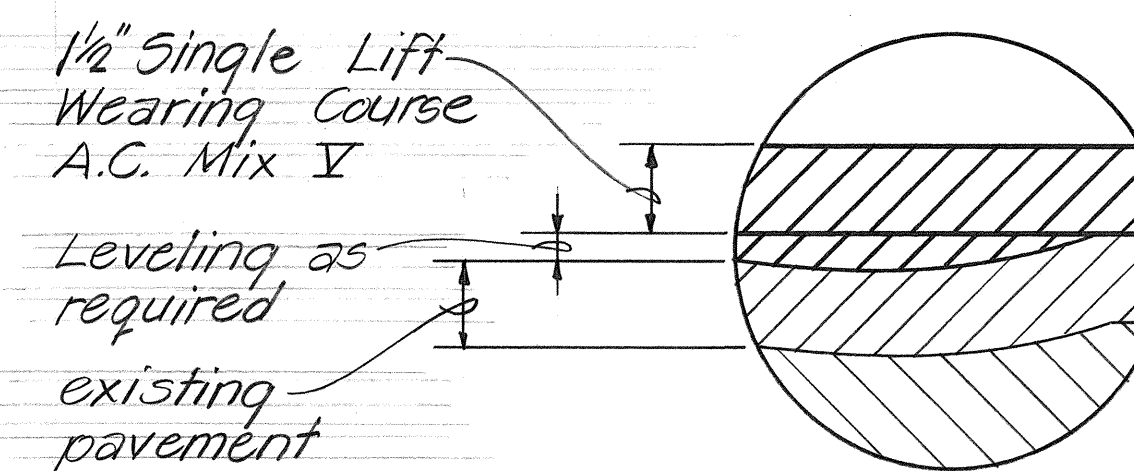


FED. ROAD DIST. NO.	STATE	PROJ. NO.	FISCAL YEAR	SHEET NO.	TOTAL SHEETS
HAWAII	HAW.	11BC-01-89M	1989	3	3

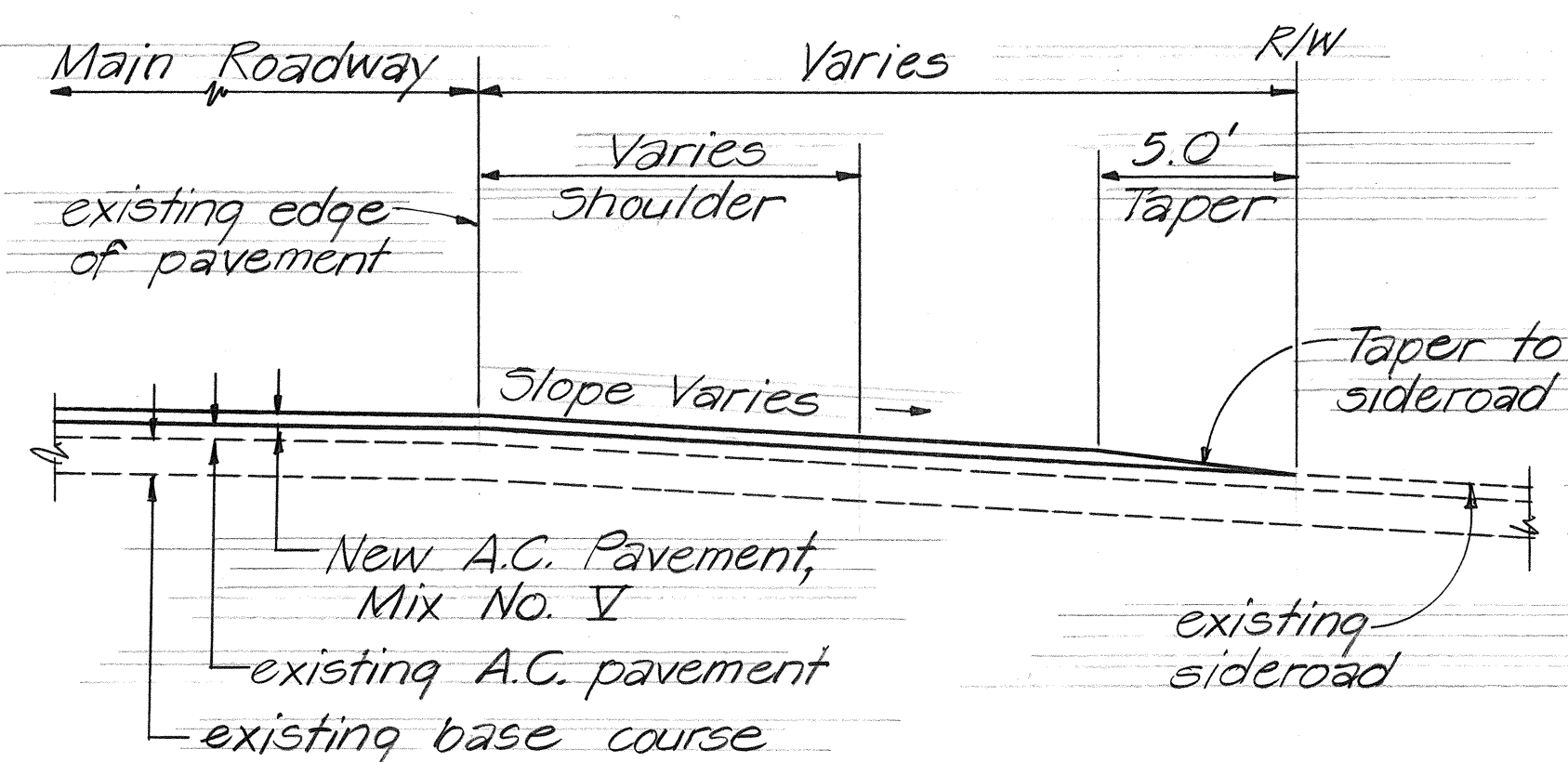


Correct to within 1/2" when tested with a 10-foot straight edge using mix no. V A.C. as directed by the engineer.

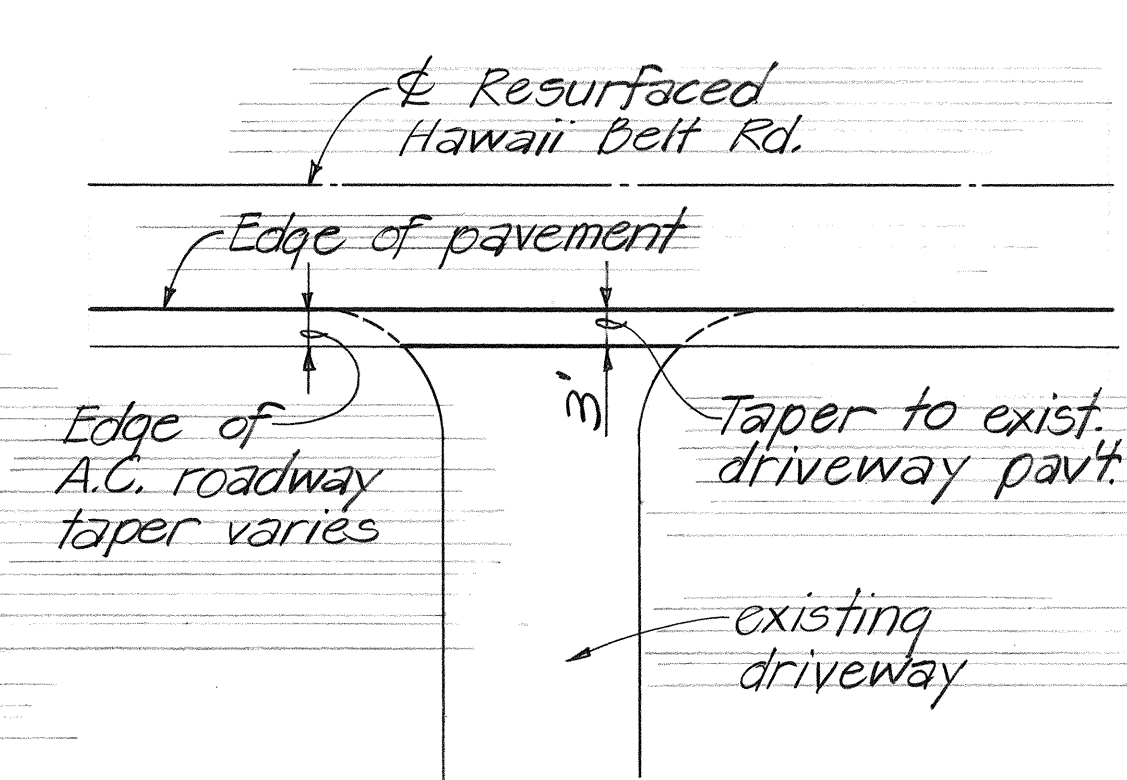
TYPICAL SECTION



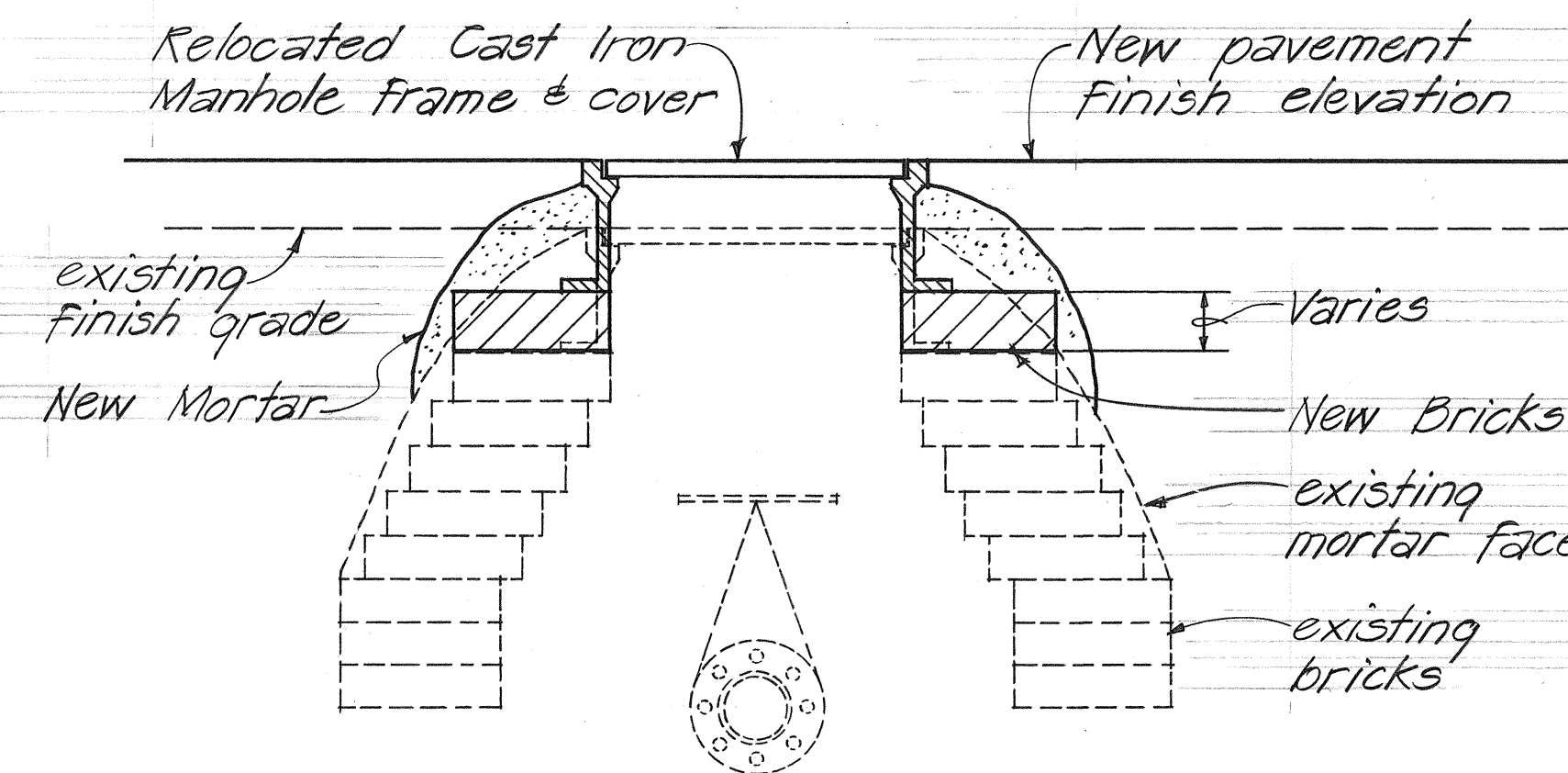
PAVEMENT DETAIL A



TYPICAL SIDEROAD CONNECTION DETAIL



TYPICAL DRIVEWAY CONNECTION PLAN



CAST IRON VALVE BOX FRAME & COVER DETAIL

GENERAL NOTES

- Improvements consist of reconstructing weakened pavement areas, resurfacing the existing pavement, installing pavement markers, adjusting water valve boxes, and adjusting centerline and reference survey monuments.
- Asphalt concrete for leveling course shall be paid for under item no. 401.0500 - 'Asphalt Concrete Pavement, Mix No. V.'
- Tack coat shall be incidental to item no. 401.0500 - 'Asphalt Concrete Pavement, Mix No. V.'
- Water valve boxes and manholes shall be adjusted to the finished roadway grade and shall be paid for under item no. 604.4550 - 'Adjusting Water Valve Box, Frame and Cover.'
- All construction signs shall be reflectorized with high intensity reflective sheeting.
- Pavement areas to be striped shall be broomed off by contractor prior to striping by the State.
- Construct smooth and easy riding connections to existing roadway at beginning and end of project.
- Construct 3' tapered connections at all driveway locations.
- Existing pavement surface variable. Surface indicated on Typical Sections is not intended to represent any specific location.
- State Forces will layout the alignment for the permanent pavement markings.

DATE	
SURVEY PLOTTED BY	
DRAWN BY	
TRACED BY	
NOTED BY	
QUANTITIES BY	
CHECKED BY	
ORIGINAL PLAN	
NO.	

STATE OF HAWAII
DEPARTMENT OF TRANSPORTATION
HIGHWAYS DIVISION

TYPICAL SECTIONS & DETAILS

HAWAII BELT ROAD RESURFACING
KEALIA TO PAHOEHOE
PROJ. NO. 11BC-01-89M

Not to Scale Date: Sept. 1988

SHEET No. 1 OF 1 SHEETS