

FED. ROAD DIST. NO.	STATE	PROJ. NO.	FISCAL YEAR	SHEET NO.	TOTAL SHEETS
HAWAII	HAW.	11N-01-19M	2019	ADD. 12	26 <del>25</del>

**PAVEMENT MARKING LEGEND:**

- 4" Double Solid Yellow with Type D Raised Pavement Markers @ 20'-0" o.c. (Thermoplastic Extrusion)
- 4" Single Solid Yellow with Type H Raised Pavement Markers @ 20'-0" o.c. (Thermoplastic Extrusion)
- 4" White Edge Stripe with Type C Raised Pavement Markers @ 40'-0" o.c. (Thermoplastic Extrusion)
- 4" White Guide Line (Thermoplastic Extrusion)
- 12" White Stop Line (Thermoplastic Extrusion)
- Channelizing Island or Deceleration Lane Gore  
8" White Stripe with Type "C" Raised Pavement Markers, 20'-0" o.c.  
12" White Stripe (Thermoplastic Extrusion)
- Type C RPM @ 40'-0" o.c.
- 4" White Profiled Thermoplastic Marking See Detail this Sht.
- Pavement Arrow (Thermoplastic Extrusion)

**SIGNING LEGEND:**

- Existing Traffic Sign with 1 Post
- New Traffic Sign with 1 Post
- Existing Traffic Sign with 2 Posts

**SIGNING KEY:**

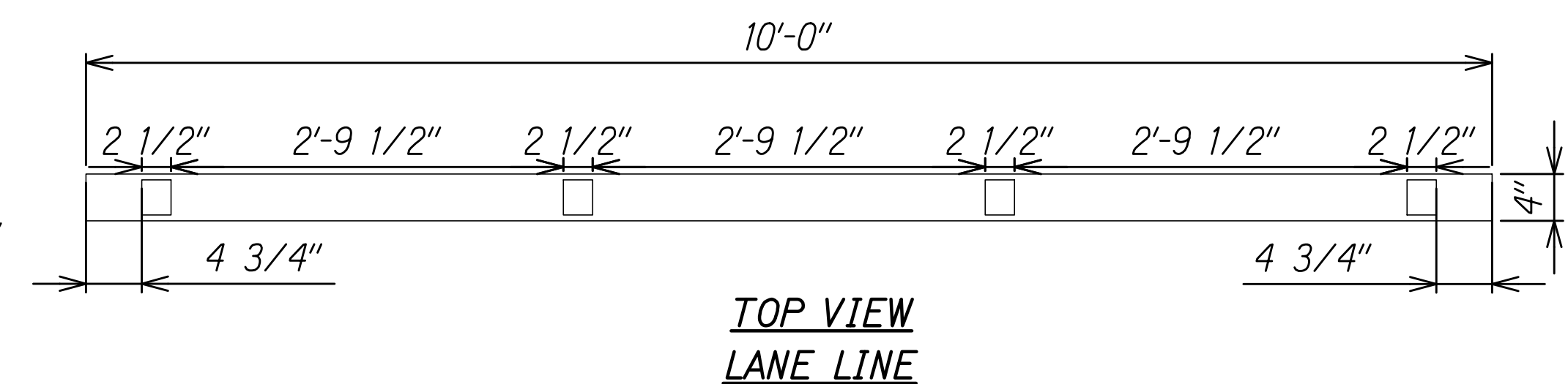
- Exist. Sign(s) & Post(s) to Remain
- Remove Exist. Sign(s) w/ Post(s)
- Install New Sign(s) w/ Post(s)

**LEGEND FOR AS-BUILT POSTINGS**

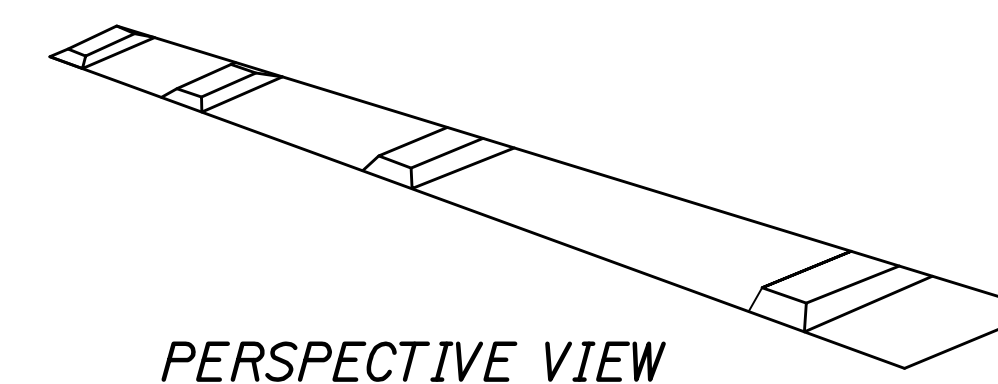
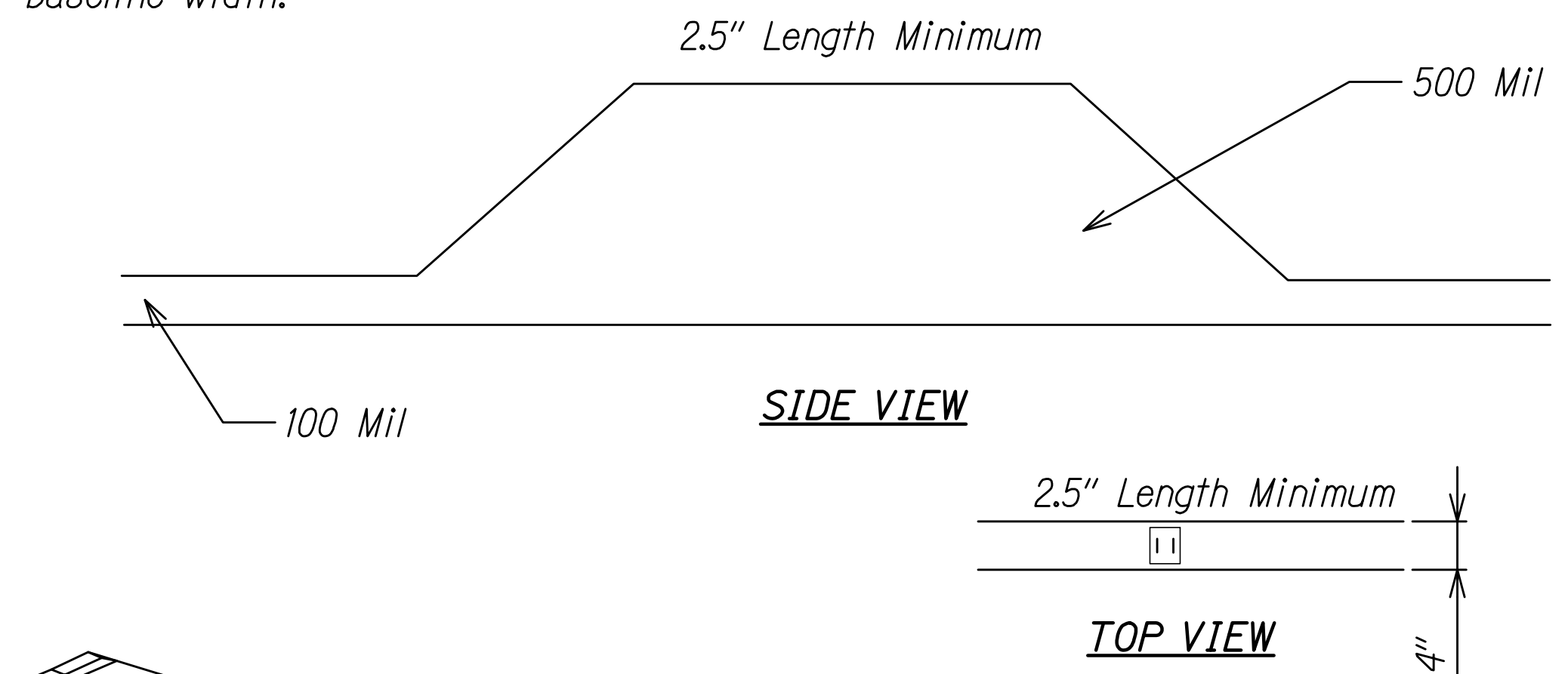
- Squiggly line for as-built deletion
- Double line for as-built deletion
- Roadway Text for as-built posting

**SIGNING AND PAVEMENT MARKING NOTES:**

- Layout of pavement markings and striping shall be done by the Contractor and approved by the Engineer prior to any installation work.
- Existing pavement markings and striping not incorporated in the final traffic pattern shall be removed as directed by the Engineer. The removal of the existing pavement markings shall not be paid for separately and shall be considered incidental to the various pavement marking items.
- Raised pavement markers shall not be installed within the crosswalks.
- Final locations of all signs shall be approved by the Engineer prior to any installation work.
- Existing signs not shown on these plans shall remain as posted unless otherwise directed by the Engineer. Removal and disposal of existing signs and/or posts as designated on these plans or directed by the Engineer shall not be paid for and shall be considered incidental to the various signing items.
- Final locations of all stop lines shall be approved by the Engineer prior to installation.
- All pavement striping shall be as noted on the legend or plans.
- Removal of existing delineators and posts as directed by the Engineer shall be considered incidental to the various signing items.
- Existing signs that are to be replaced shall not be removed until new signs are installed as replacements, or the messages are no longer necessary.
- Backing for all new regulatory and warning signs shall not be spliced.
- All sign panels shall conform to the latest and adopted editions and amendments of the following FHWA publications:
  - "Manual on Uniform Traffic Control Devices for Street and Highways" (MUTCD)
  - "Standard Highway Signs"
  - "Standard Alphabet for Highway Signs"
- Sign messages shall be as indicated on the plans.
- All new and relocated signs and markers installed on pipe post or light standard are to be mounted with band brackets and steel braces.
- The Contractor shall erect at the beginning of the project and at the end of the project advance construction warning signs as indicated on the plans or as directed by the Engineer for the duration of the highway project and shall be maintained by the Contractor. These signs shall be placed in addition to the required traffic control signs called for in Section 645-Work Zone Traffic Control. The advance construction warning signs shall be new and become the property of the State. The Contractor shall remove, clean, and deliver the signs and posts to the Hawaii District Baseyard or as directed by the Engineer at the end of the project.
- For raised pavement markers, guide lines, yield marking, and standard pavement arrows, see HDOT Standard Plans TE-26, TE-28, TE-28A and TE-29.
- For sign height, location, mounting and installation, see HDOT Standard Plans TE-01, TE-01A, TE-02A, TE-02B, TE-03A and TE-03B.
- For object markers, see HDOT Standard Plan TE-15.



Profiles placed on 36" o.c. 500 mil height, including 100 mil baseline Width equal to approximately baseline width.



**PROFILED THERMOPLASTIC STRIPING**

Scale: NTS

6/10/19	Added Note for Object Markers
DATE	REVISION



THIS WORK WAS PREPARED BY ME OR UNDER MY SUPERVISION AND CONSTRUCTION OF THIS PROJECT WILL BE UNDER MY OBSERVATION.

*Robyn McKinney* APRIL 30, 2020  
SIGNATURE EXPIRATION DATE OF THE LICENSE

STATE OF HAWAII  
DEPARTMENT OF TRANSPORTATION  
HIGHWAYS DIVISION

**PAVEMENT MARKING LEGEND AND NOTES**

**VOLCANO ROAD TEMPORARY SIGNAL INSTALLATION**

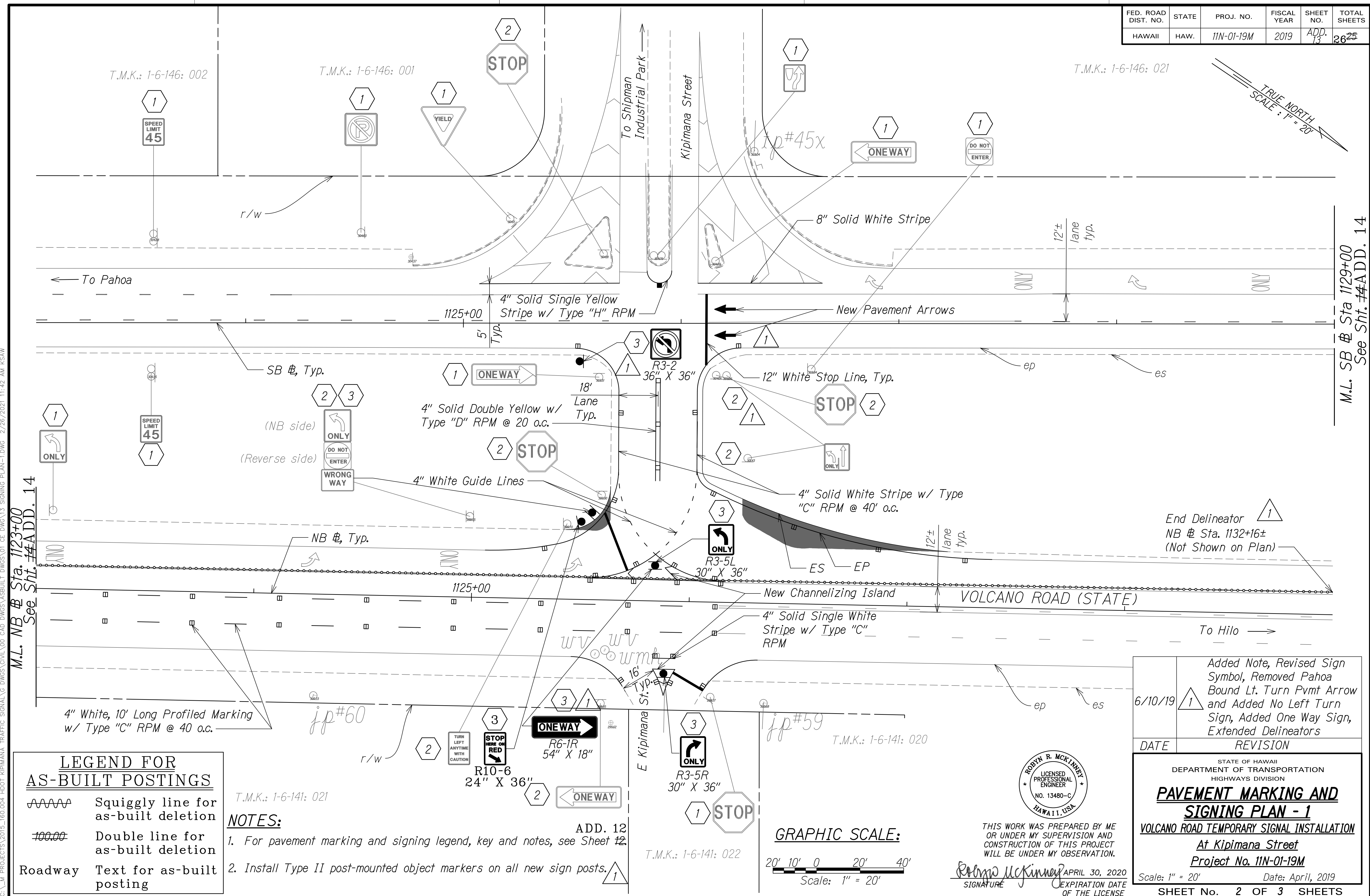
At Kipimana Street  
Project No. 11N-01-19M

Scale: N/A Date: April, 2019

SHEET No. 1 OF 3 SHEETS

C:\M\_PROJECTS\2015\_160.004\_HDOT\_KIPIMANA\_TRAFFIC\_SIGNAL\G\_DWGSET\CIVIL\00\_CAD\_DWGSET\ASBUILT\_DWGSET\01\_CE\_DWG\12\_PAVT\_MKNG\_LEGEND\_AND\_NOTES.DWG - 2/26/2021 11:38 AM KSAW

FED. ROAD DIST. NO.	STATE	PROJ. NO.	FISCAL YEAR	SHEET NO.	TOTAL SHEETS
HAWAII	HAW.	11N-01-19M	2019	ADD. 13	26



C:\M\_PROJECTS\2015\_160.004\_HDOT\_KIPIMANA\_TRAFFIC\_SIGNAL\G\_DWG\CIVIL\00 CAD\_DWG\AS-BUILT\_DWG\01 CE\_DWG\13\_SIGNING\_PLAN-1.DWG 2/26/2021 11:42 AM KSAW

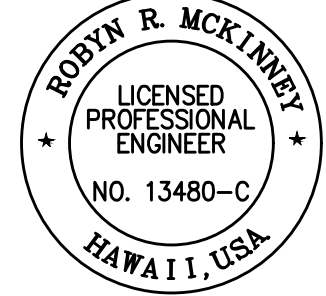
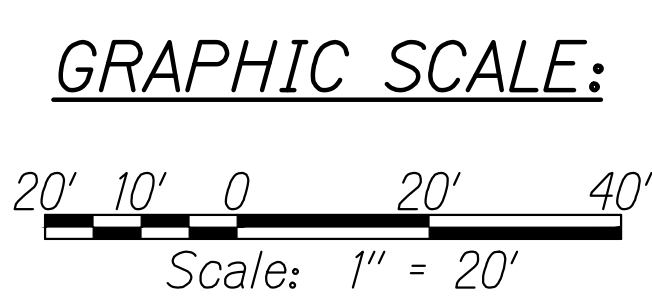
M.L. NB # Sta. 1123+00 See Sht. #ADD. 14

M.L. SB # Sta 1129+00 See Sht. #ADD. 14

LEGEND FOR AS-BUILT POSTINGS	
	Squiggly line for as-built deletion
	Double line for as-built deletion
Roadway	Text for as-built posting

T.M.K.: 1-6-141: 021  
**NOTES:**  
 1. For pavement marking and signing legend, key and notes, see Sheet #2  
 2. Install Type II post-mounted object markers on all new sign posts.

ADD. 12



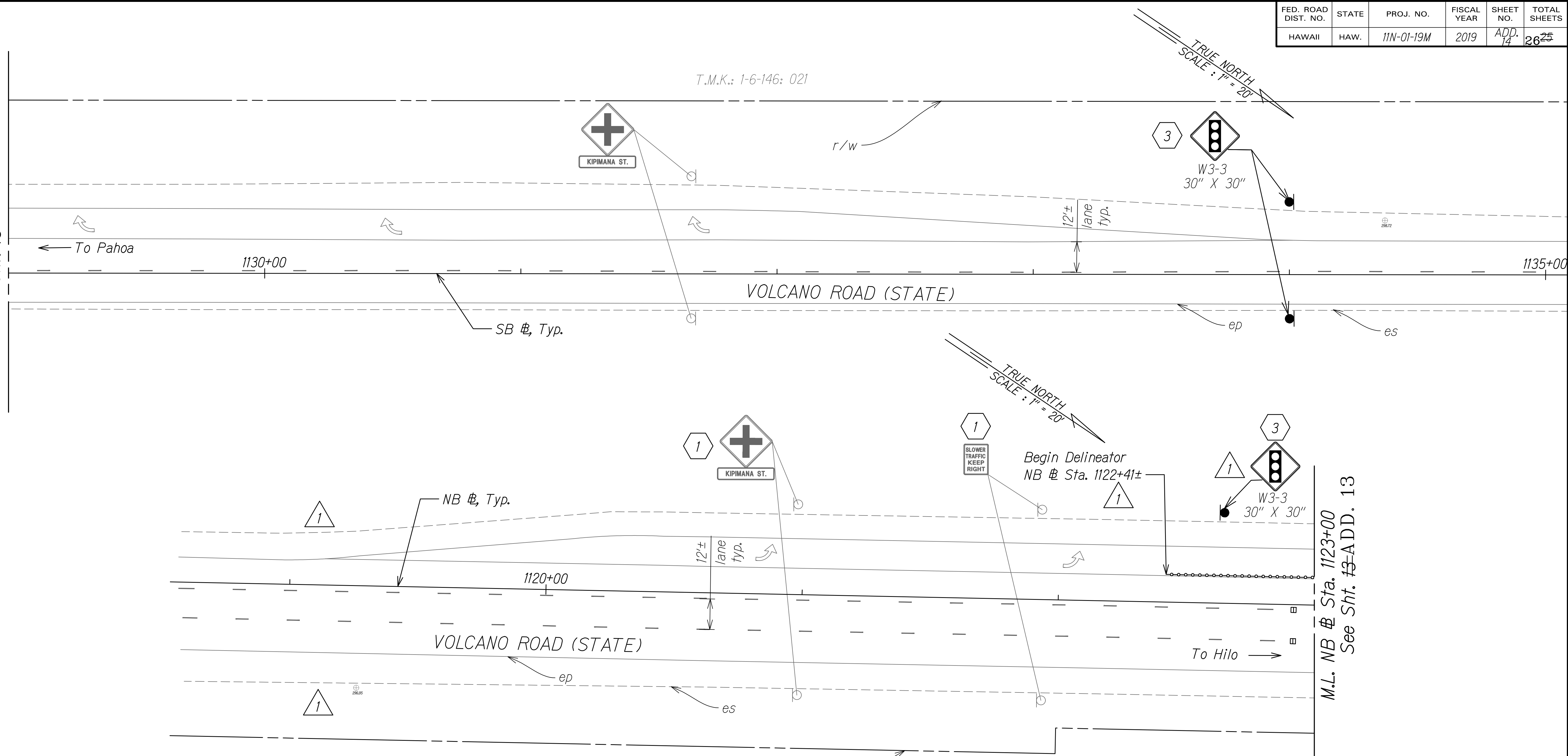
THIS WORK WAS PREPARED BY ME OR UNDER MY SUPERVISION AND CONSTRUCTION OF THIS PROJECT WILL BE UNDER MY OBSERVATION.  
 Signature: *Robyn McKinney*  
 APRIL 30, 2020  
 EXPIRATION DATE OF THE LICENSE

6/10/19	1	Added Note, Revised Sign Symbol, Removed Pahoa Bound Lt. Turn Pvmnt Arrow and Added No Left Turn Sign, Added One Way Sign, Extended Delineators
DATE		REVISION

STATE OF HAWAII  
 DEPARTMENT OF TRANSPORTATION  
 HIGHWAYS DIVISION  
**PAVEMENT MARKING AND SIGNING PLAN - 1**  
 VOLCANO ROAD TEMPORARY SIGNAL INSTALLATION  
 At Kipimana Street  
 Project No. 11N-01-19M  
 Scale: 1" = 20' Date: April, 2019  
 SHEET No. 2 OF 3 SHEETS

FED. ROAD DIST. NO.	STATE	PROJ. NO.	FISCAL YEAR	SHEET NO.	TOTAL SHEETS
HAWAII	HAW.	11N-01-19M	2019	ADD. 14	26

M.L. SB @ Sta 1129+00  
See Sht. #3-ADD. 13

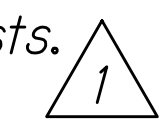


M.L. NB @ Sta. 1123+00  
See Sht. #3-ADD. 13

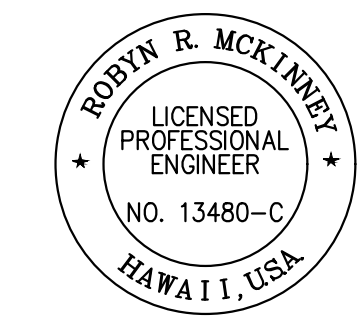
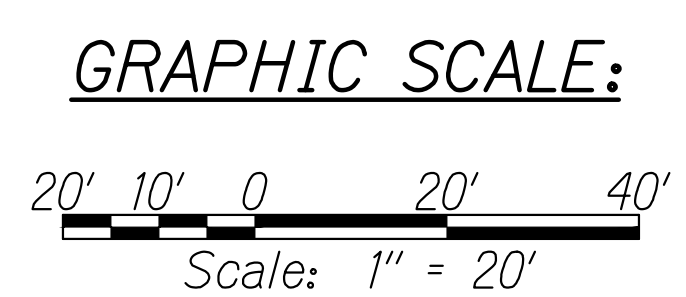
**NOTES:**

- For pavement marking and signing legend, key and notes, see Sheet #2
- Install Type II post-mounted object markers on all new sign posts.

ADD. 12



LEGEND FOR AS-BUILT POSTINGS	
	Squiggly line for as-built deletion
	Double line for as-built deletion
Roadway	Text for as-built posting



THIS WORK WAS PREPARED BY ME OR UNDER MY SUPERVISION AND CONSTRUCTION OF THIS PROJECT WILL BE UNDER MY OBSERVATION.

*Robyn McKinney*  
SIGNATURE

APRIL 30, 2020  
EXPIRATION DATE OF THE LICENSE

6/10/19	1	Removed Hilo Bound Right Traffic Signal Sign, Adjusted Location of Hilo Bound Traffic Signal Sign and Extended Delineators to Sta. 1122+41±
DATE		REVISION

STATE OF HAWAII  
DEPARTMENT OF TRANSPORTATION  
HIGHWAYS DIVISION

**PAVEMENT MARKING AND SIGNING PLAN - 2**

**VOLCANO ROAD TEMPORARY SIGNAL INSTALLATION**

At Kipimana Street  
Project No. 11N-01-19M

Scale: 1" = 20'      Date: April, 2019

SHEET No. 3 OF 3 SHEETS

"AS-BUILT"

ADD. 14

C:\M\_PROJECTS\2015\_160.004\_HDOT\_KIPIMANA\_TRAFFIC\_SIGNAL\G\_DWGSS\CIVIL\00\_CAD\_DWGSS\ASBUILT\_DWGSS\01\_CE\_DWG\14\_SIGNING\_PLAN-2.DWG 2/26/2021 11:47 AM KSAW