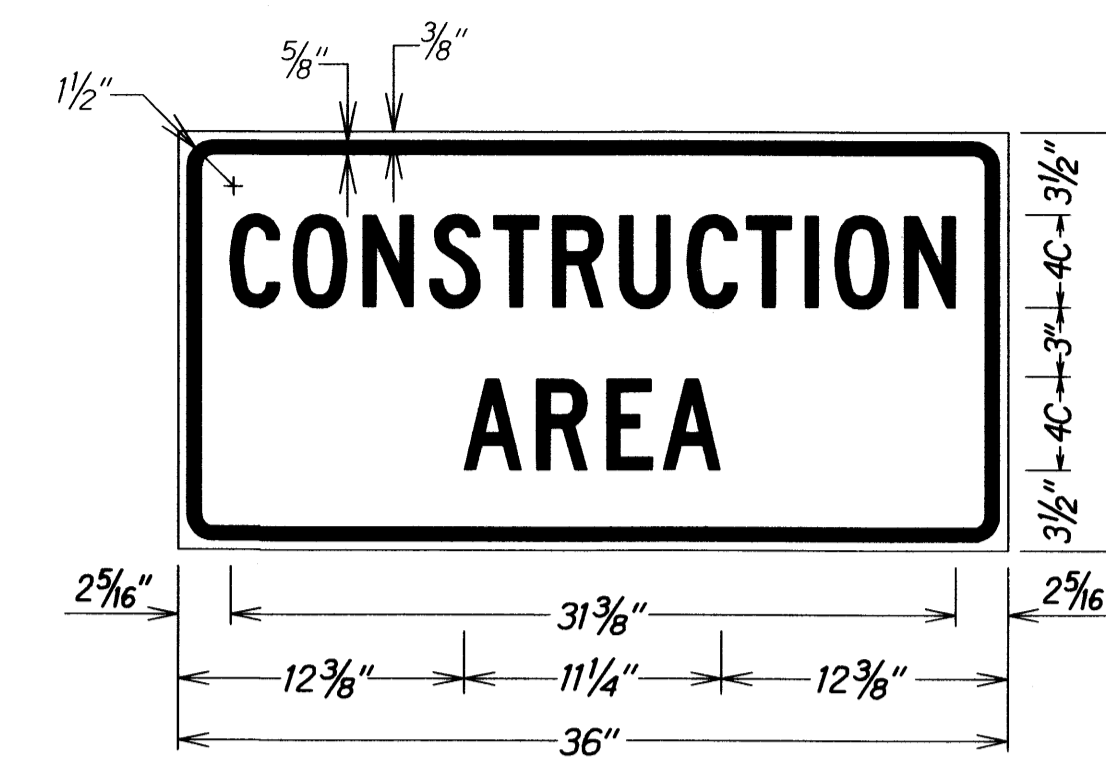


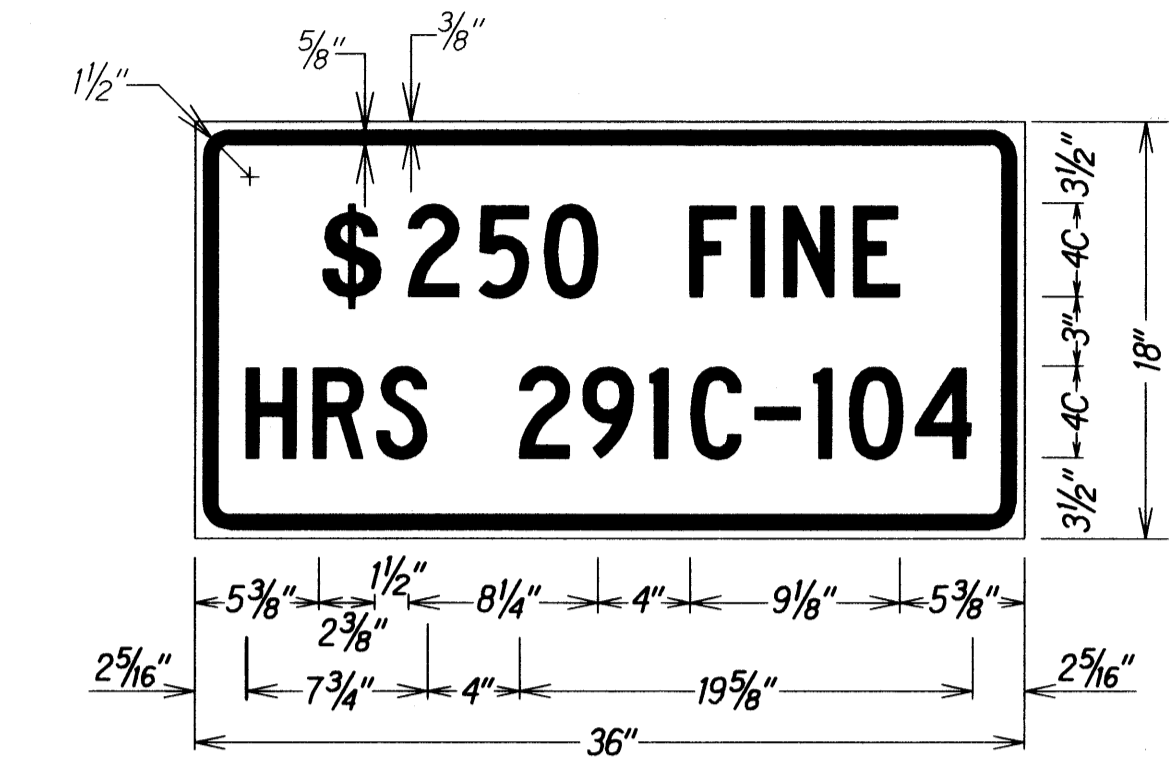
FED. ROAD DIST. NO.	STATE	FED. AID PROJ. NO.	FISCAL YEAR	SHEET NO.	TOTAL SHEETS
HAWAII	HAW.	STP-011-2(39)	2011	21	33

Work Zone Notes:

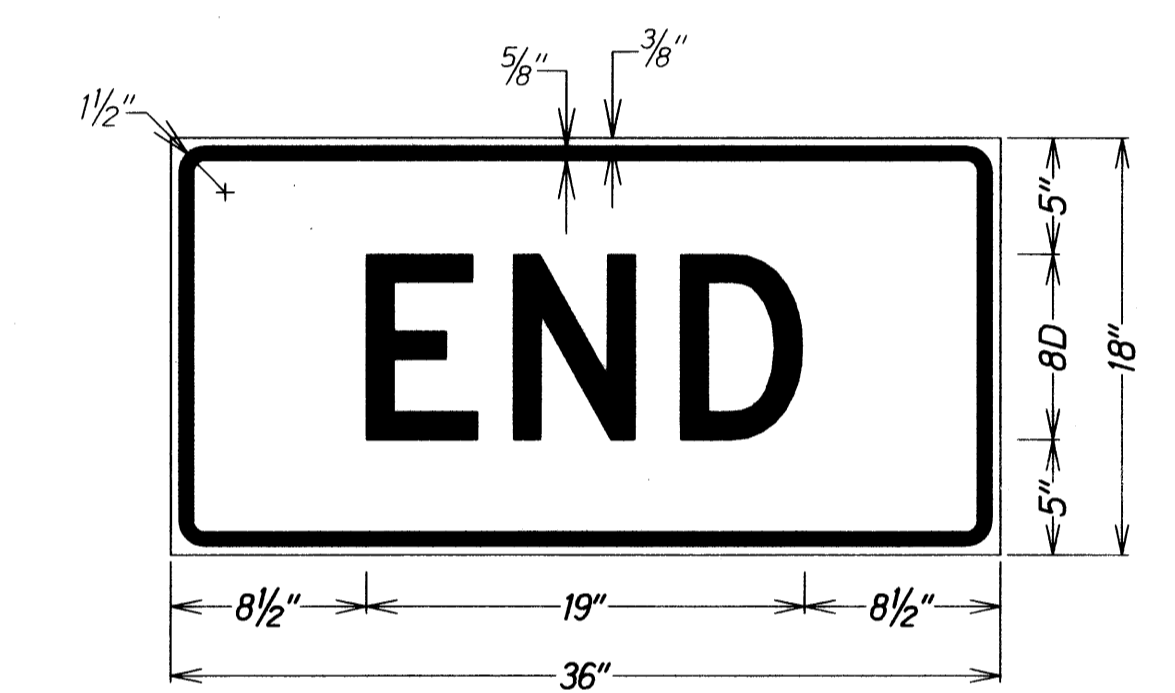
1. This Work Zone Sign Plan is intended for use on long-term stationary work zones/construction phases (3 days or more). All work zones or construction phases less than 3 days duration will use Traffic Control Plans shown in Section 645 of the Special Provisions.
2. All existing regulatory speed limit signs with posts within the work zone/project limits shall be removed and replaced with work zone speed limit sign assemblies (R2-1(45), R2-1(35), CW3-5(45) and CW3-5(35) with "CONSTRUCTION AREA" and "\$250 FINE HRS 291C-104" Supplemental Signs).
3. Construction sign assemblies shall be installed on both the approaching and trailing ends of each work zone as shown on this plan.
4. Each construction warning sign and work zone speed limit assembly shall have a minimum of two (2) Type II OM. Installation of each Type II OM shall be considered incidental to Item No. 645.0100 - Traffic Control.
5. Upon the completion of all physical work or as directed by the Engineer, all construction signs and work zone speed limit assemblies shall be removed. All speed limit signs and posts that were existing at the start of the project within the work zone/project limits shall be restored back to their original locations and configurations.
6. Placement of construction signs shall not obstruct the path of pedestrians and bicyclists.
7. The removal and restoration of existing regulatory speed limit signs with new posts along with the installation, maintenance and removal of work zone speed limit sign assemblies shall be considered incidental to Item No. 645.0100 - Traffic Control.



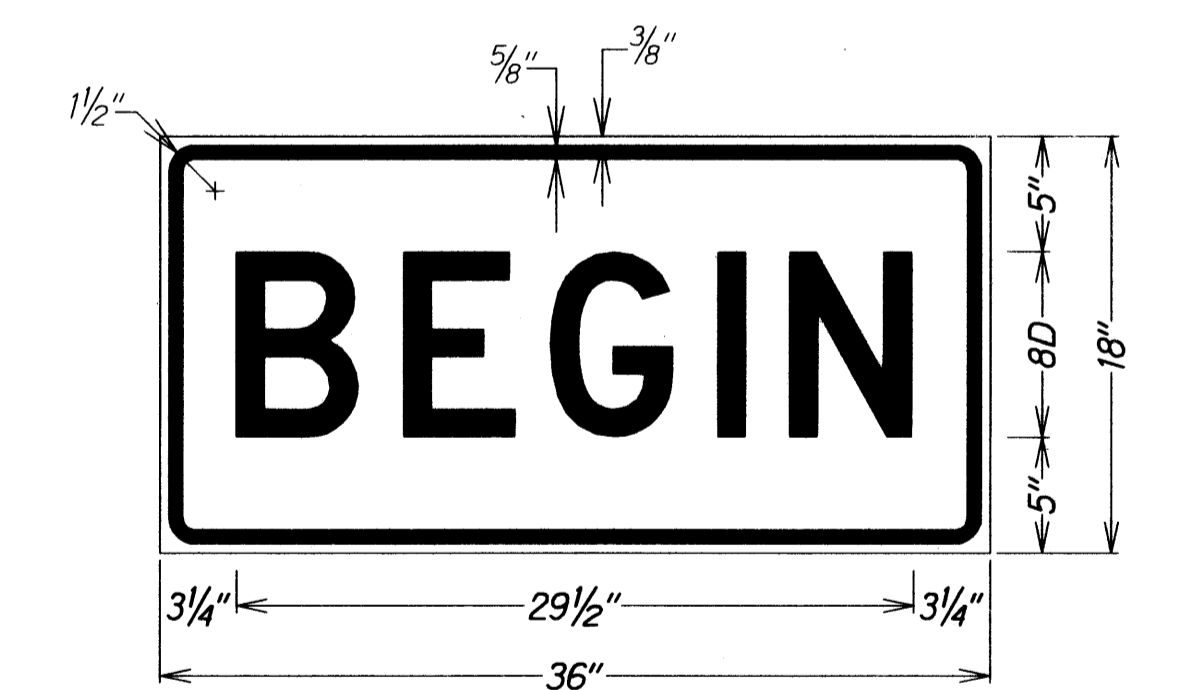
LEGEND: BLACK  
BACKGROUND: ORANGE



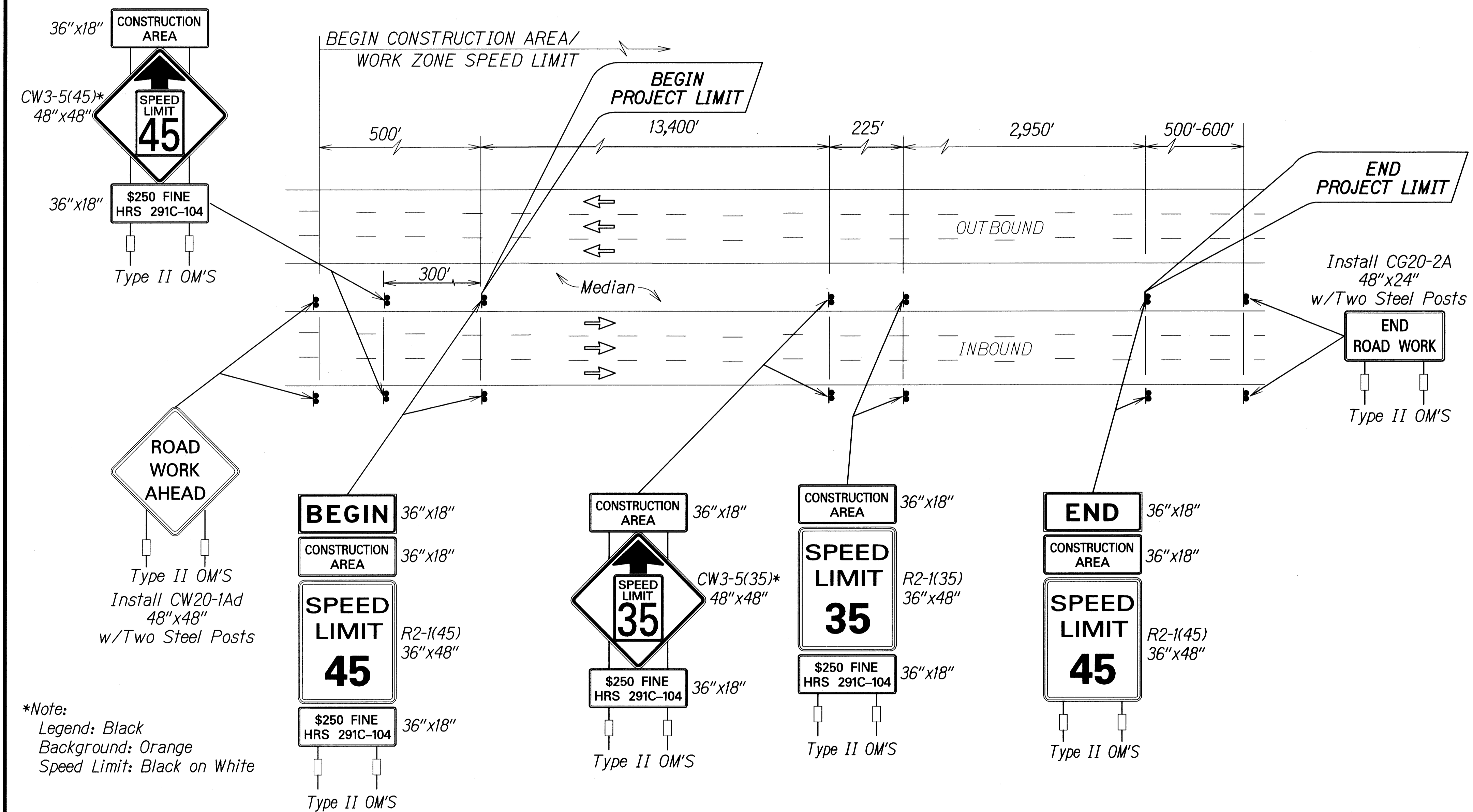
LEGEND: BLACK  
BACKGROUND: WHITE



LEGEND: BLACK  
BACKGROUND: ORANGE



LEGEND: BLACK  
BACKGROUND: ORANGE



\*Note:  
Legend: Black  
Background: Orange  
Speed Limit: Black on White

TYPICAL DETAIL FOR CONSTRUCTION SIGNS  
ON MULTILANE DIVIDED HIGH SPEED HIGHWAY

DATE	5/28/02
SURVEY PLOTTED BY	...
DESIGNED BY	...
QUANTITIES BY	...
CHECKED BY	...

STATE OF HAWAII  
DEPARTMENT OF TRANSPORTATION  
HIGHWAYS DIVISION  
**HIGH SPEED DIVIDED HIGHWAY**  
**WORK ZONE SIGNING PLAN, NOTES&DETAILS**  
VOLCANO ROAD  
Pavement Preventive Maintenance I/B Lanes  
Kea'au Bypass Road to Panaewa Bridge  
Federal Aid Project No. STP-011-2(39)  
Not To Scale Date: Sept. 2010  
SHEET No. T2 OF 14 SHEETS