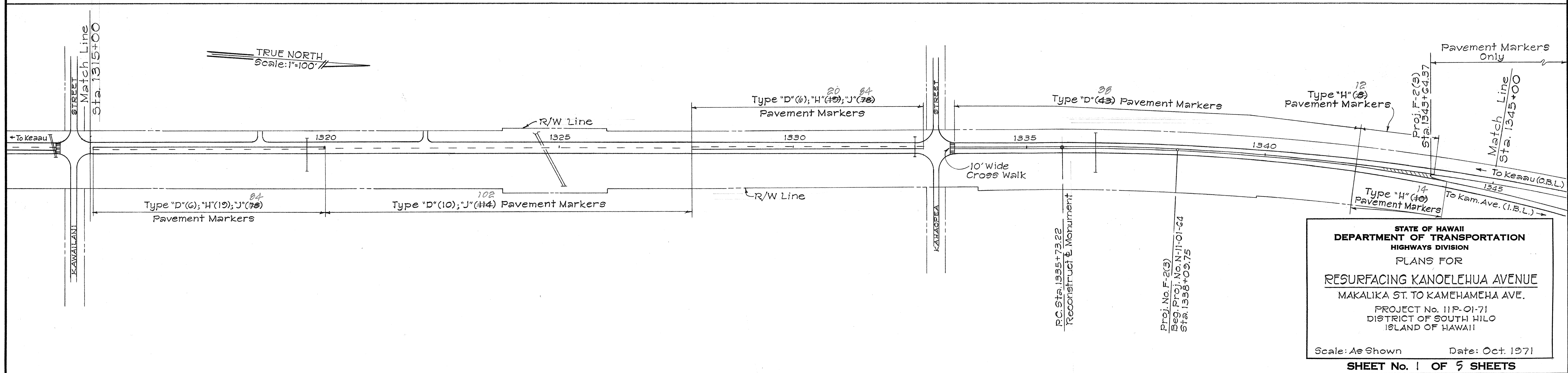
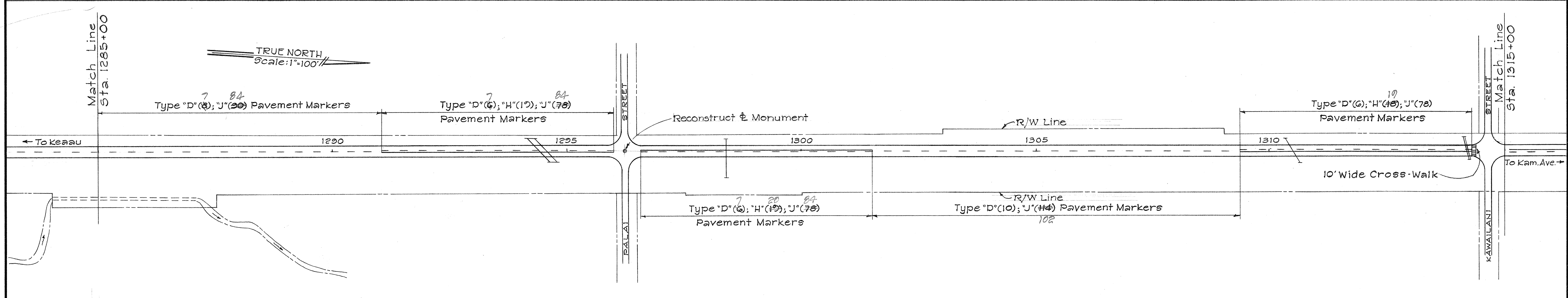
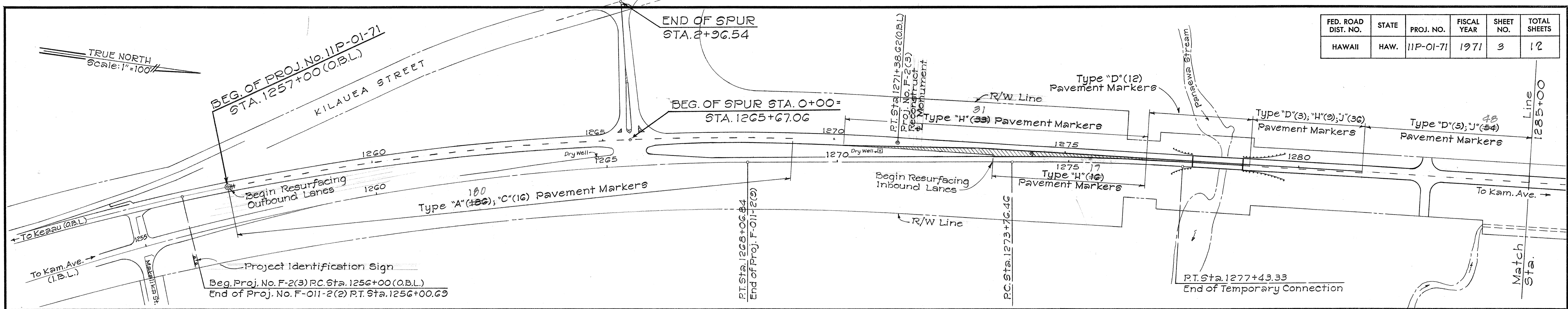


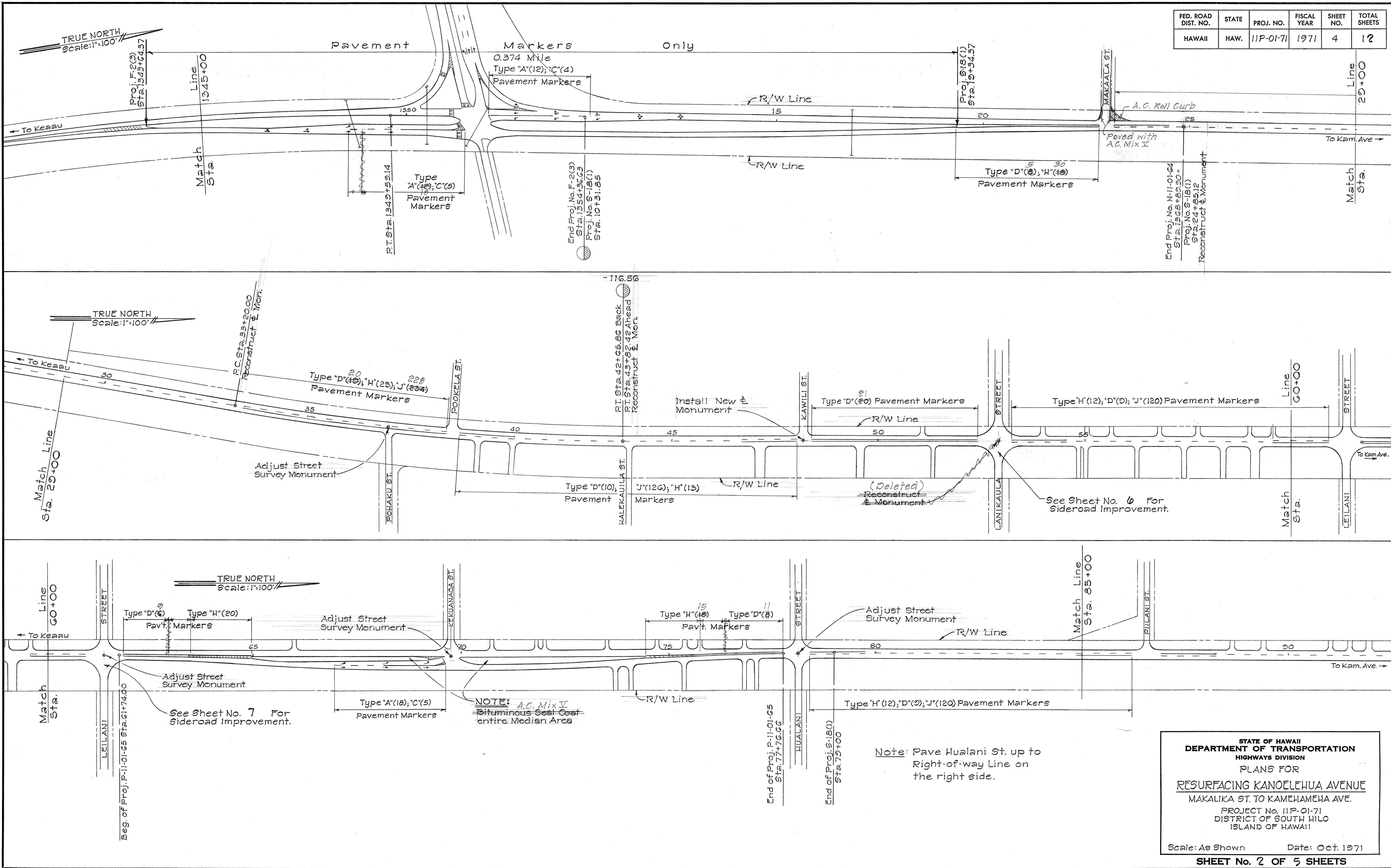
FED. ROAD DIST. NO.	STATE	PROJ. NO.	FISCAL YEAR	SHEET NO.	TOTAL SHEETS
HAWAII	HAW.	11P-01-71	1971	3	12



DATE	_____
SURVEY PLOTTED BY	_____
DESIGNED BY	_____
TRACED BY	_____
NOTE BOOK	_____
QUANTITIES BY	_____
CHECKED BY	_____
No.	_____

STATE OF HAWAII  
DEPARTMENT OF TRANSPORTATION  
HIGHWAYS DIVISION  
PLANS FOR  
RESURFACING KANOELEHUA AVENUE  
MAKALIKA ST. TO KAMEHAMEHA AVE.  
PROJECT No. 11P-01-71  
DISTRICT OF SOUTH HILO  
ISLAND OF HAWAII  
Scale: As Shown Date: Oct. 1971  
SHEET No. 1 OF 5 SHEETS

FED. ROAD DIST. NO.	STATE	PROJ. NO.	FISCAL YEAR	SHEET NO.	TOTAL SHEETS
HAWAII	HAW.	11P-01-71	1971	4	12



DATE	_____
SURVEY PLOTTED BY	_____
DRAWN BY	_____
RECHECKED BY	_____
QUANTITIES BY	_____
CHECKED BY	_____
ORIGINAL PLAN	_____
NOTE BOOK	_____
No.	_____

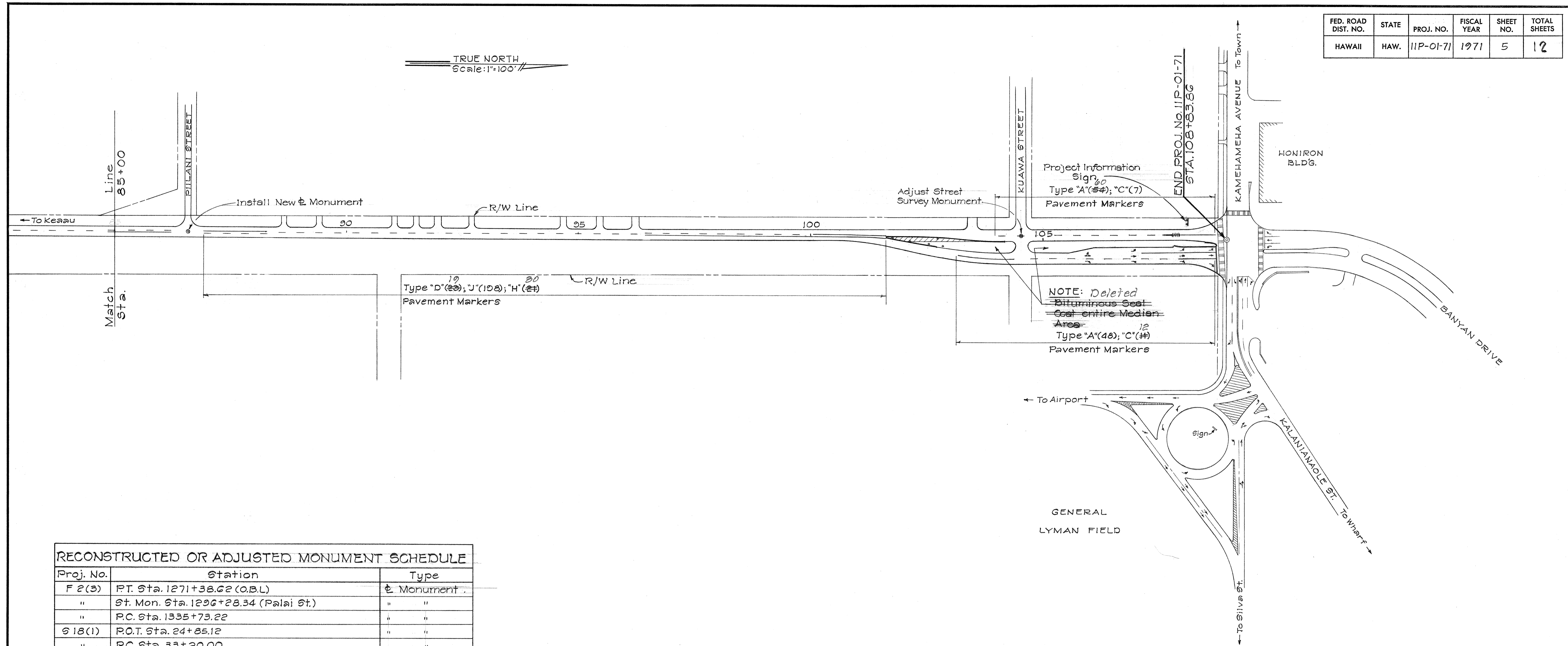
See Sheet No. 7 For Sideroad Improvement.

NOTE: A.C. Mix V Bituminous Seal Coat entire Median Area

Note: Pave Hualani St. up to Right-of-way Line on the right side.

STATE OF HAWAII  
DEPARTMENT OF TRANSPORTATION  
HIGHWAYS DIVISION  
PLANS FOR  
RESURFACING KANOELEHUA AVENUE  
MAKALIKA ST. TO KAMEHAMEHA AVE.  
PROJECT No. 11P-01-71  
DISTRICT OF SOUTH HILO  
ISLAND OF HAWAII  
Scale: As Shown Date: Oct. 1971

FED. ROAD DIST. NO.	STATE	PROJ. NO.	FISCAL YEAR	SHEET NO.	TOTAL SHEETS
HAWAII	HAW.	11P-01-71	1971	5	12



**RECONSTRUCTED OR ADJUSTED MONUMENT SCHEDULE**

Proj. No.	Station	Type
F 2(3)	RT. Sta. 1271+38.62 (O.B.L.)	Monument
"	St. Mon. Sta. 1296+28.34 (Palai St.)	" "
"	P.C. Sta. 1335+73.22	" "
S 18(1)	P.O.T. Sta. 24+85.12	" "
"	P.C. Sta. 33+20.00	" "
"	St. Mon. Sta. 36+95.94 (Pohaku St.)	St. Survey Mon.
"	RT. Sta. 42+65.86 Back	Monument
"	RT. Sta. 43+82.42 Ahead	" "
"	<del>St. Mon. Sta. 52+21.33 (Lanikaula St.)</del>	<del>" "</del>
"	St. Mon. Sta. 61+36.33 (Leilani St.)	St. Survey Mon.
"	St. Mon. Sta. 69+76.33 (Kekuanaoa St.)	" " "
"	St. Mon. Sta. 78+16.33 (Hualani St.)	" " "
"	St. Mon. Sta. 104+55 (Kuawa St.)	" " "

**NEW CENTERLINE MONUMENT SCHEDULE**

Proj. No.	Station	Type
S 18(1)	St. Mon. Sta. 47+15 (Kawili St.)	Monument
"	St. Mon. Sta. 86+56.33 (Pilihi St.)	" "

**SUMMARY FOR BITUMINOUS SEAL COAT FOR SHOULDERS**

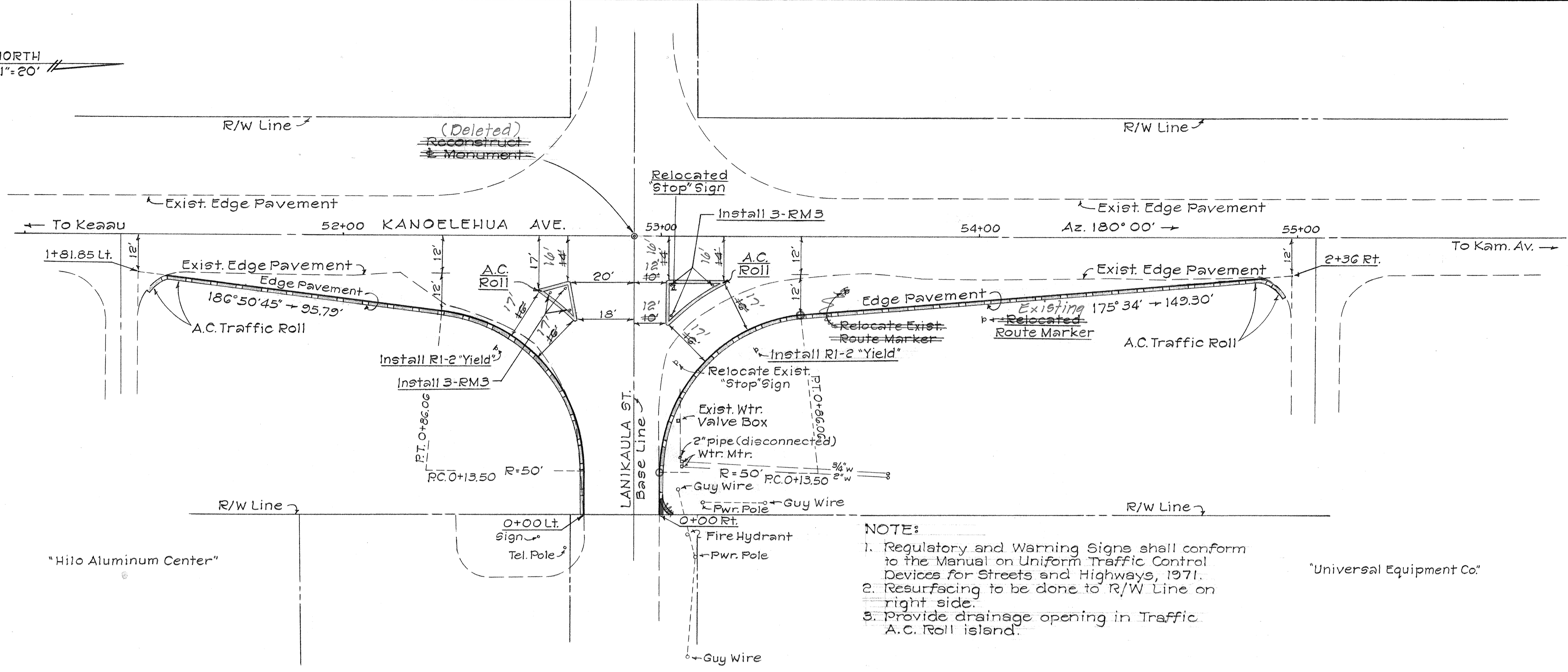
Station To Station	Left	Right
Beg. Proj. 1257+00 (O.B.L.) to 1273+76.46 (O.B.L. Only)	7'	7'
Spur 1265+67.06 (Left)	5'	5'
1273+76.46 to 1277+72.75	7'	7'
Bridge Exception 1277+72.75 to 1278+81.25	—	—
1278+81.25 to 1296+28.34 (Palai St.)	No Work Req'd.	No Work Req'd.
1296+28.34 to 1314+68.24 (Kawailani St.)	" " "	7'
1314+68.24 to 1333+08.34 (Kahaopea St.)	" " "	No Work Req'd.
1333+08.34 to 1343+64.37 (Beg. Exception)	" " "	7'
(End Exception) 1343+64.37 to 42+65.86 (Equal Sta. RT.)	7'	7'
(Equal Sta. RT.) 43+82.42 to 78+16.33 (Hualani St.)	7'	7'
78+16.33 to 100+40	No Work Req'd.	No Work Req'd.
100+40 to 103+00	"	5'
103+00 to End Proj. 108+83.86	5'	5'

SURVEY PLOTTED BY: \_\_\_\_\_ DATE: \_\_\_\_\_  
 DRAWN BY: \_\_\_\_\_  
 DESIGNED BY: \_\_\_\_\_  
 QUANTITIES BY: \_\_\_\_\_  
 CHECKED BY: \_\_\_\_\_  
 ORIGINAL PLAN: \_\_\_\_\_  
 NOTE BOOK: \_\_\_\_\_  
 No. \_\_\_\_\_

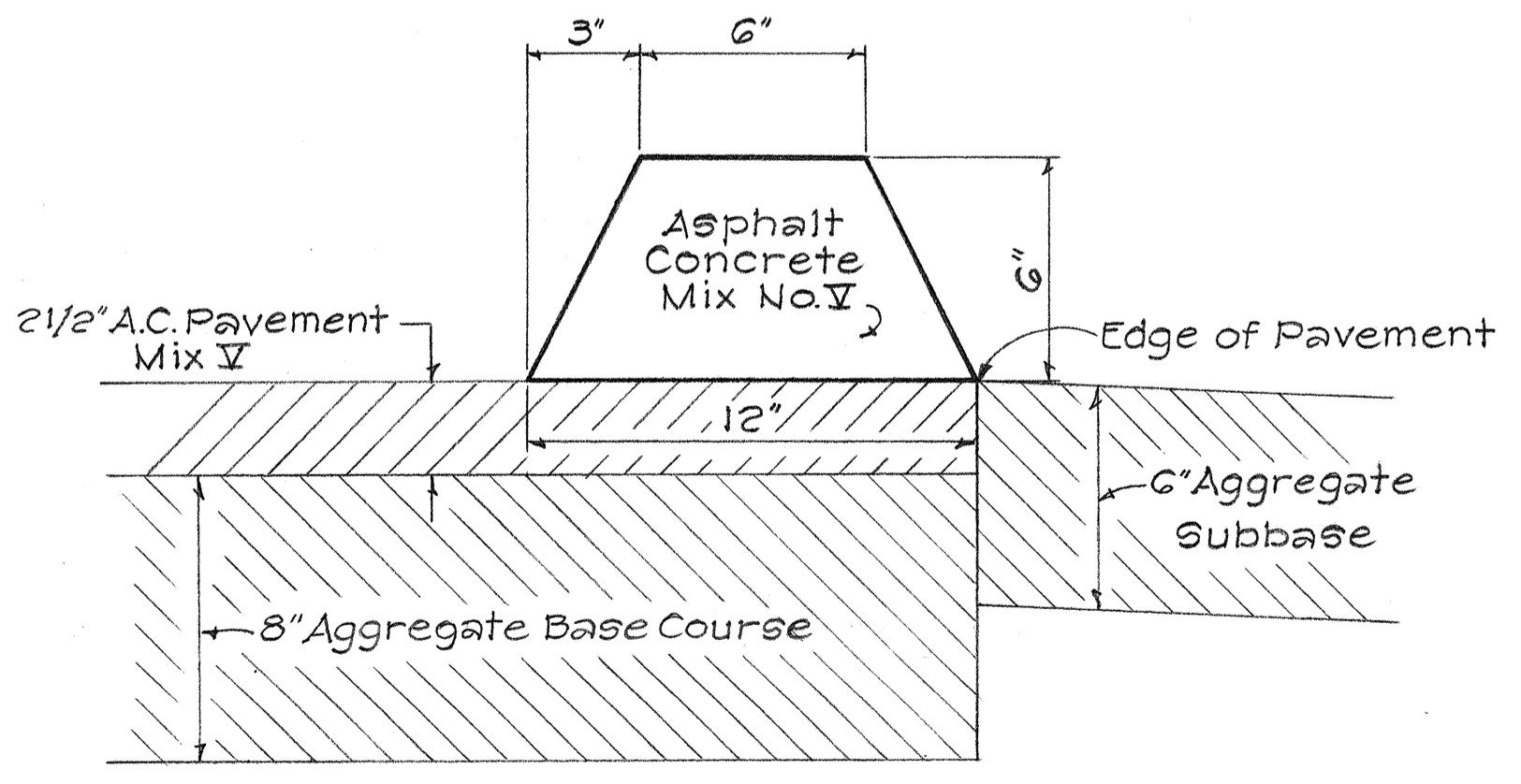
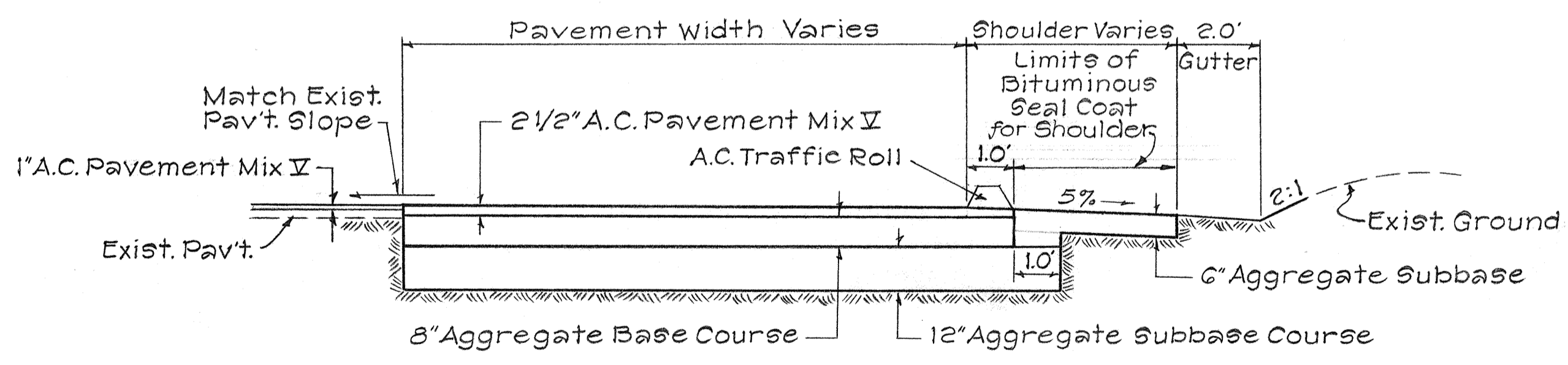
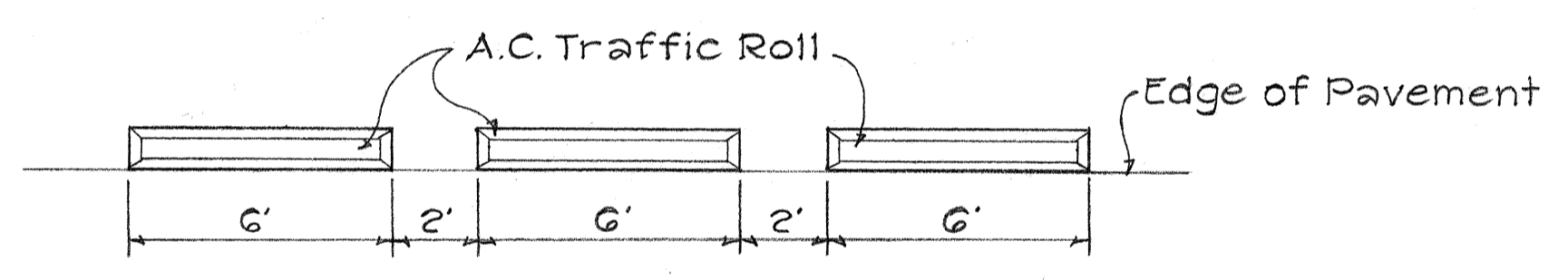
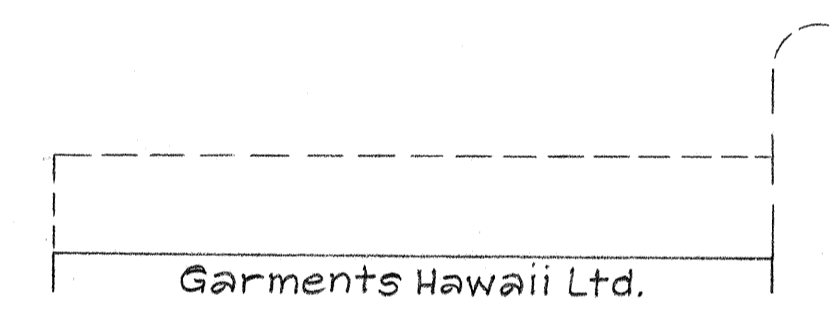
**STATE OF HAWAII**  
**DEPARTMENT OF TRANSPORTATION**  
**HIGHWAYS DIVISION**  
 PLANS FOR  
**RESURFACING KAOELEHUA AVENUE**  
 MAKALIKA ST. TO KAMEHAMEHA AVE.  
 PROJECT No. 11P-01-71  
 DISTRICT OF SOUTH HILO  
 ISLAND OF HAWAII  
 Scale: As Shown      Date: Oct. 1971  
**SHEET No. 3 OF 5 SHEETS**

FED. ROAD DIST. NO.	STATE	PROJ. NO.	FISCAL YEAR	SHEET NO.	TOTAL SHEETS
HAWAII	HAW.	11P-01-71	1971	6	12

TRUE NORTH  
Scale: 1"=20'



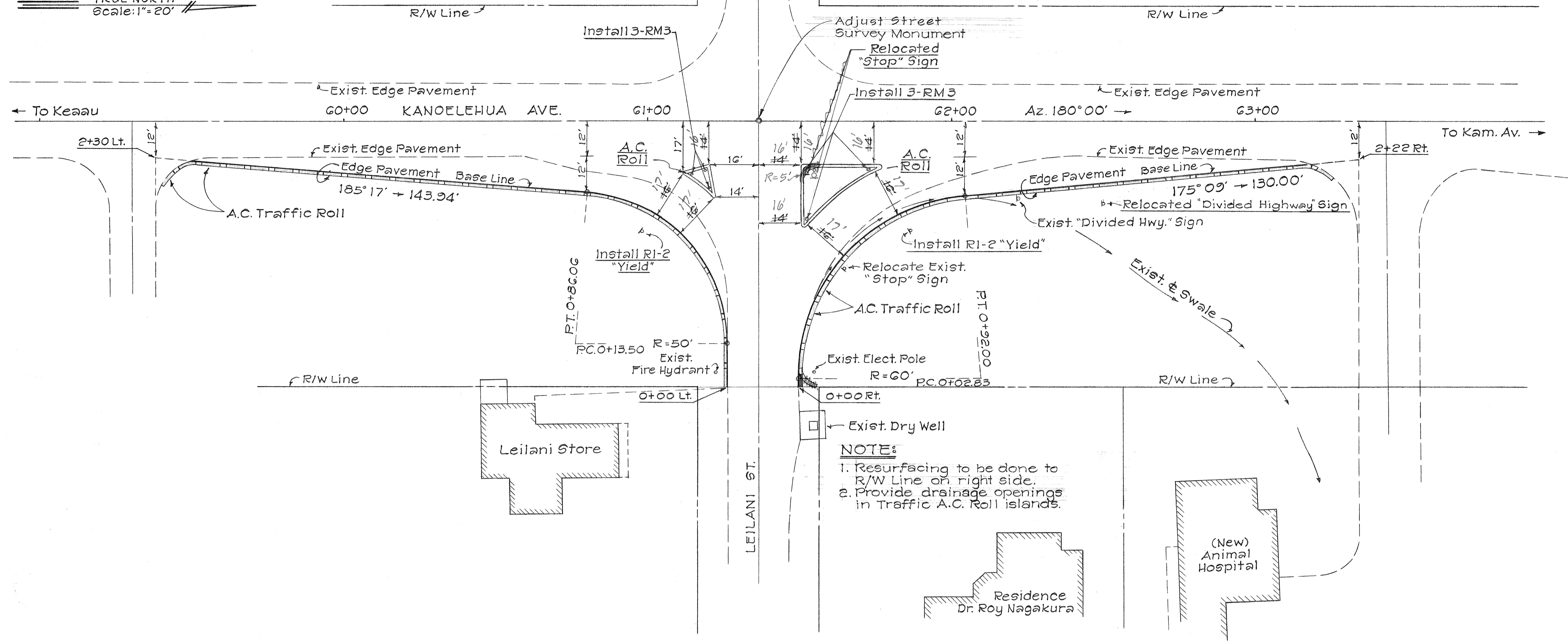
NOTE:  
1. Regulatory and Warning Signs shall conform to the Manual on Uniform Traffic Control Devices for Streets and Highways, 1971.  
2. Resurfacing to be done to R/W Line on right side.  
3. Provide drainage opening in Traffic A.C. Roll island.



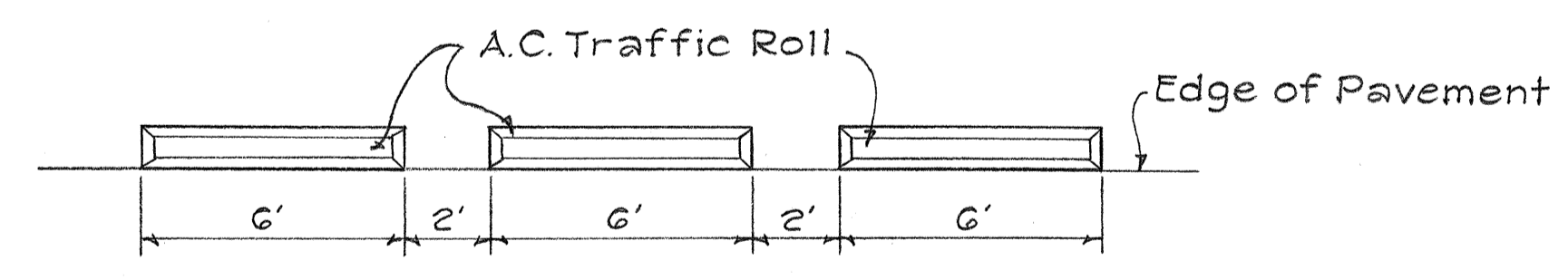
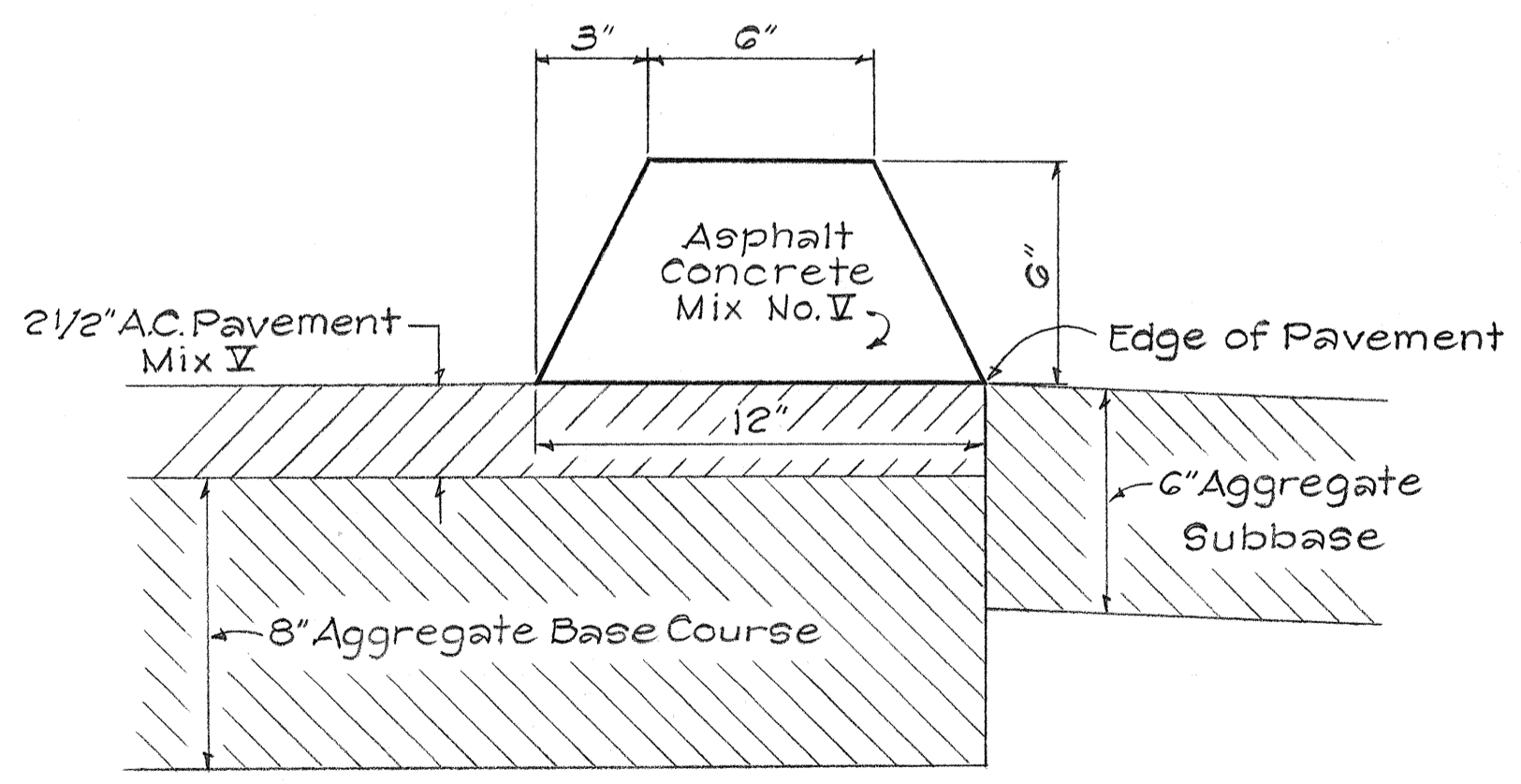
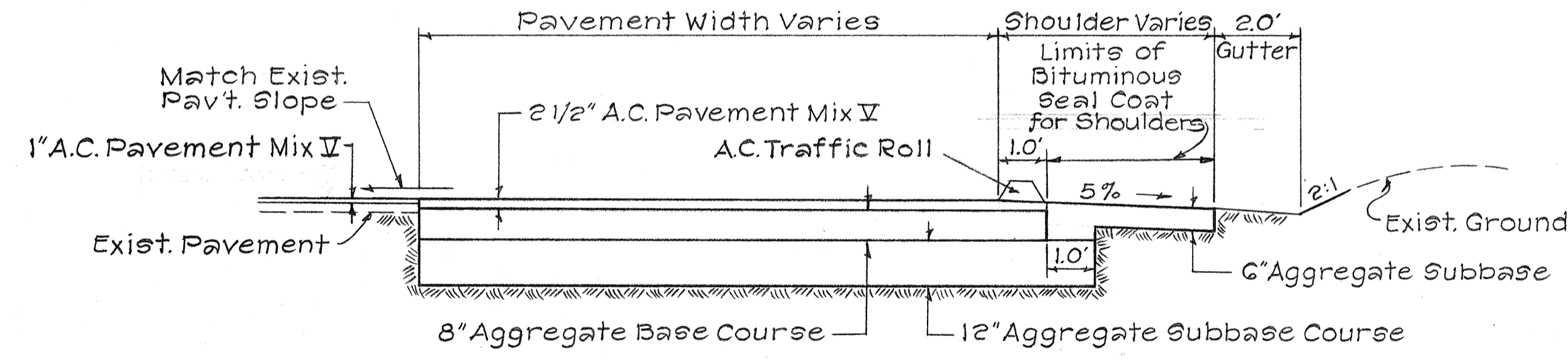
STATE OF HAWAII  
DEPARTMENT OF TRANSPORTATION  
HIGHWAYS DIVISION  
KANOELEHUHA AVE. & LANIKAULA ST.  
INTERSECTION IMPROVEMENT  
PROJECT No. 11P-01-71  
DISTRICT OF SOUTH HILO  
ISLAND OF HAWAII  
Scale: As Shown Date: Oct. 1971  
SHEET NO. 4 OF 5 SHEETS

FED. ROAD DIST. NO.	STATE	PROJ. NO.	FISCAL YEAR	SHEET NO.	TOTAL SHEETS
HAWAII	HAW.	11P-01-71	1971	7	12

TRUE NORTH  
Scale: 1" = 20'



**NOTE:**  
 1. Resurfacing to be done to R/W Line on right side.  
 2. Provide drainage openings in Traffic A.C. Roll islands.



**A.C. TRAFFIC ROLL DETAIL**

STATE OF HAWAII  
 DEPARTMENT OF TRANSPORTATION  
 HIGHWAYS DIVISION  
**KANOELEHUA AVE. & LEILANI ST.  
 INTERSECTION IMPROVEMENT**  
 PROJECT No. 11P-01-71  
 DISTRICT OF SOUTH HILO  
 ISLAND OF HAWAII  
 Scale: As Shown      Date: Oct. 1971  
**SHEET NO. 5 OF 5 SHEETS**