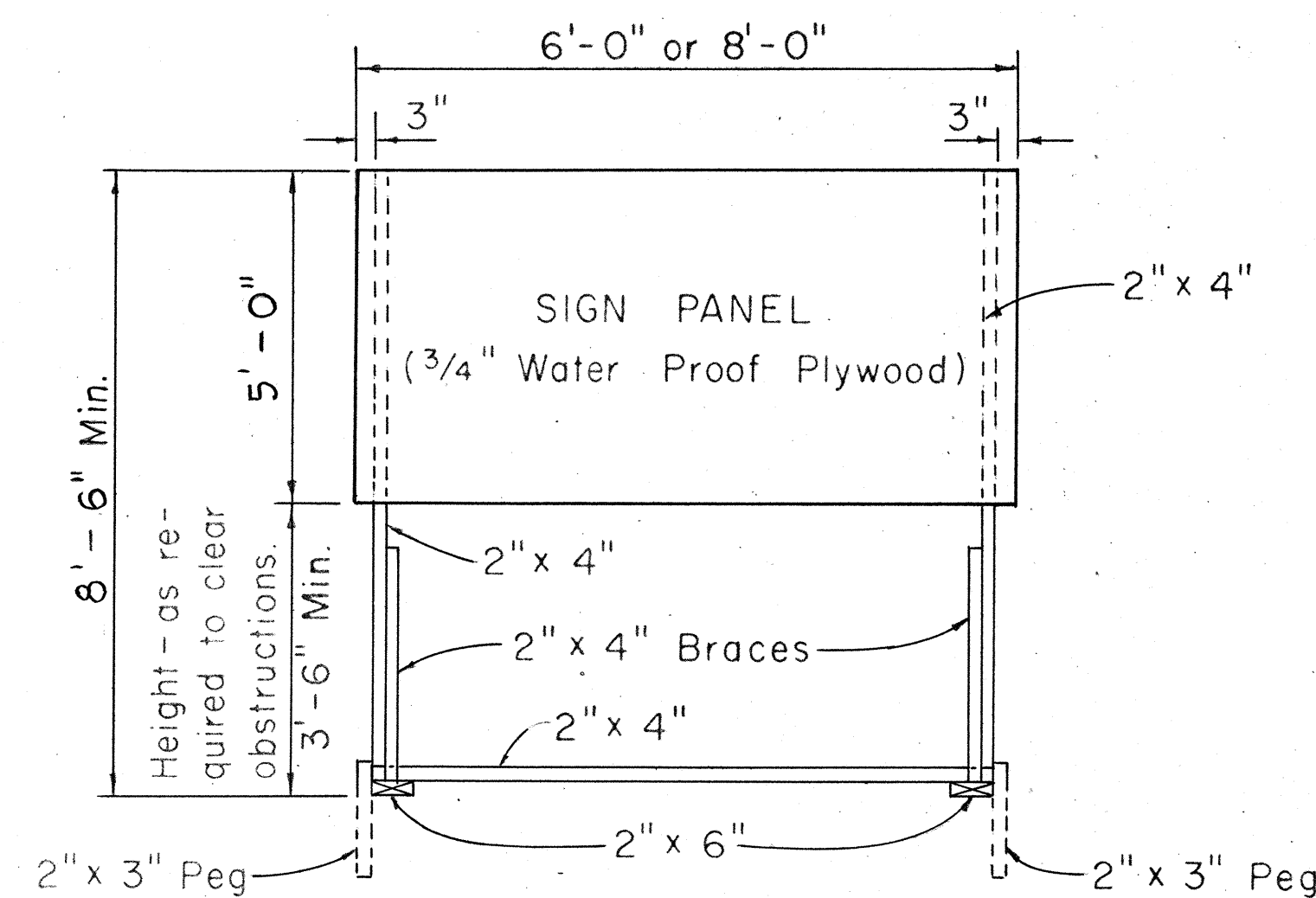
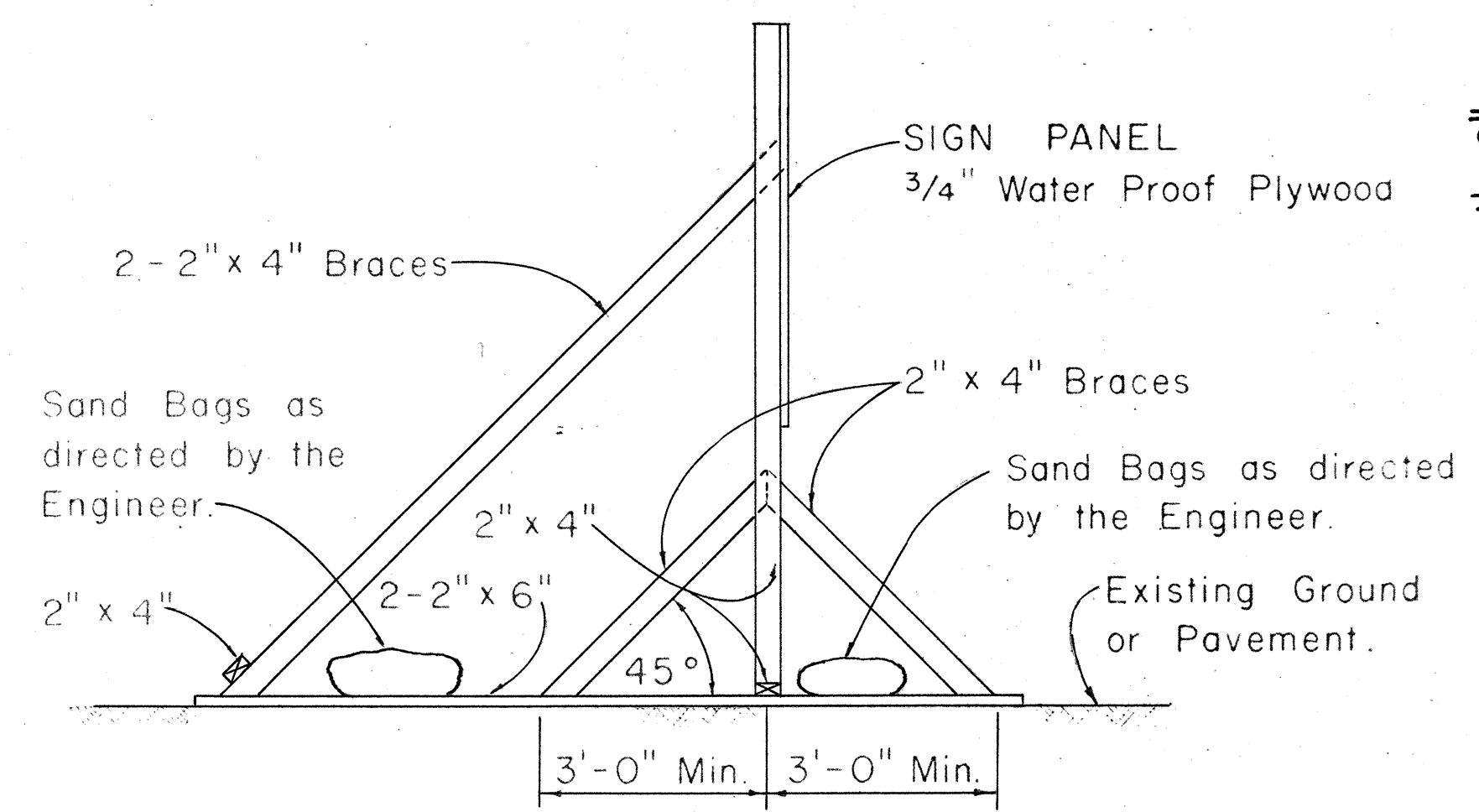


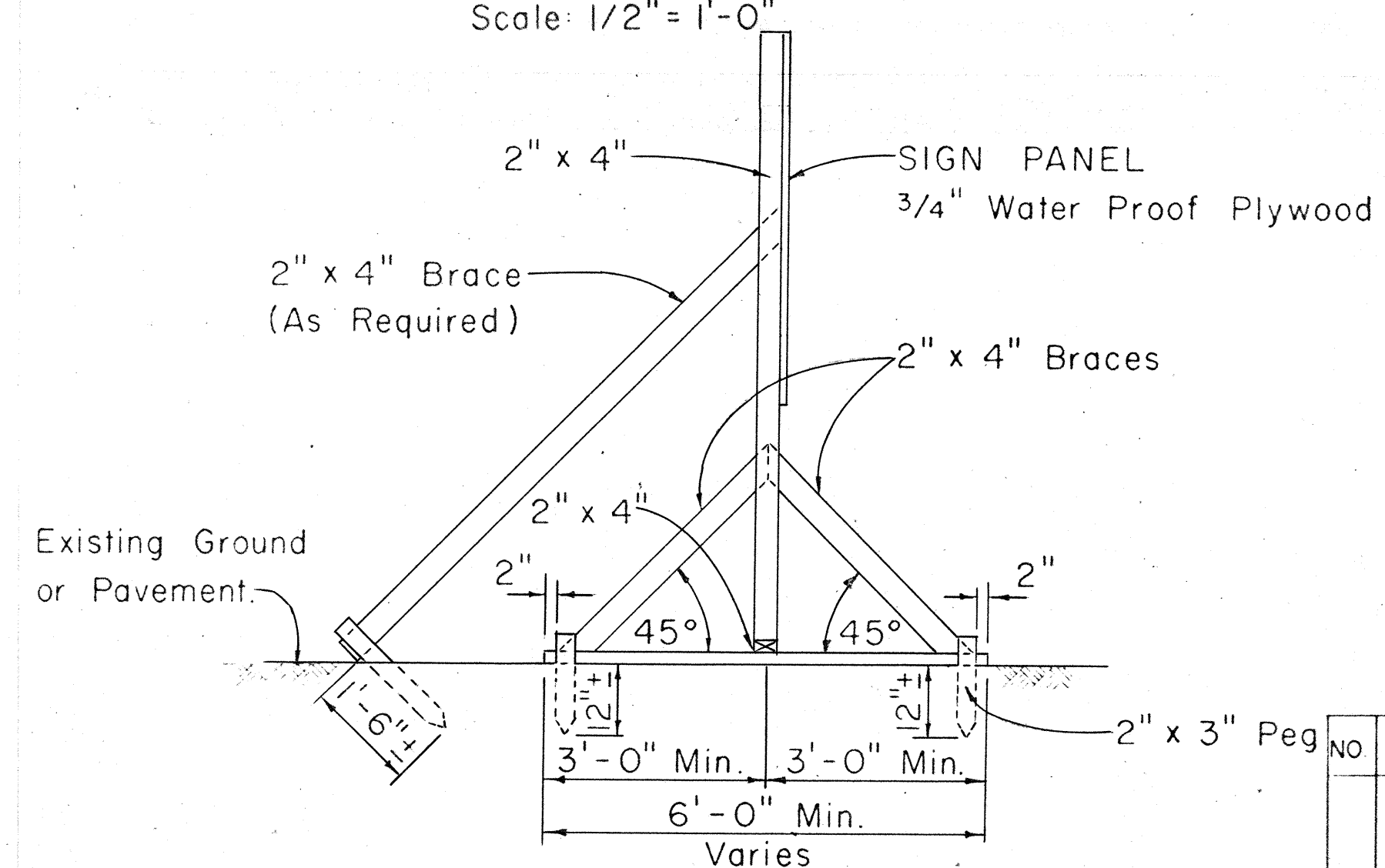
DIST. NO.	STATE	PROJ. NO.	FISCAL YEAR	SHEET NO.	TOTAL SHEETS
HAWAII	HAW.	11B-02-70	1970	3	4



FRONT VIEW
Scale: 1/2" = 1'-0"

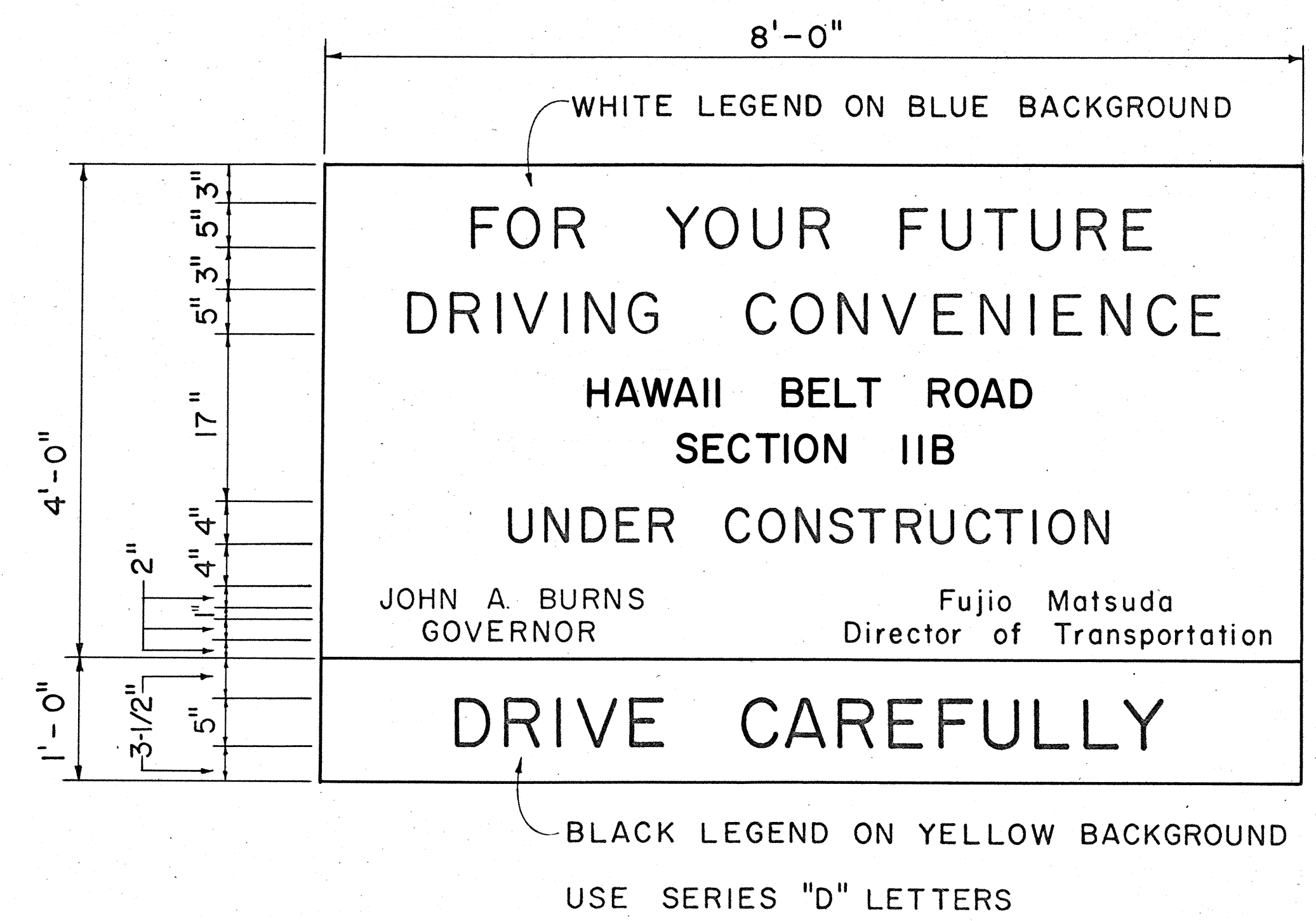


SIDE VIEW
(SIGN FRAME WEIGHTED DOWN)
Scale: 1/2" = 1'-0"



SIDE VIEW
(SIGN FRAME ANCHORED IN GROUND)
Scale: 1/2" = 1'-0"

CONSTRUCTION IDENTIFICATION SIGN
Scale: As Shown



GENERAL NOTES

1. The sign panels will be constructed by the State and will be available for pick up by the Contractor from the State Highway Maintenance Yard, 50 Makaala Street, Hilo, Hawaii.
2. The Contractor shall construct the sign supports and frames and install the sign panels at the locations shown on the plans and as ordered by the Engineer.
3. At the end of construction the Contractor shall remove the sign panels and return it to the State Highway Maintenance Yard. Sign supports and frames shall be removed and cleared from the project site.

NO	REVISION	APPROVED BY	DATE

STATE OF HAWAII
DEPARTMENT OF TRANSPORTATION
HIGHWAYS DIVISION

TYPICAL DETAILS

PROJECT INFORMATION SIGN

Scale: As Shown Date: Dec., 1969
SHEET No. 1 OF 1 SHEETS

SURVEY PLOTTED BY	DATE
DESIGNED BY	
TRACED BY	
QUANTITIES BY	
CHECKED BY	
ORIGINAL PLAN	
NOTE BOOK	
No.	