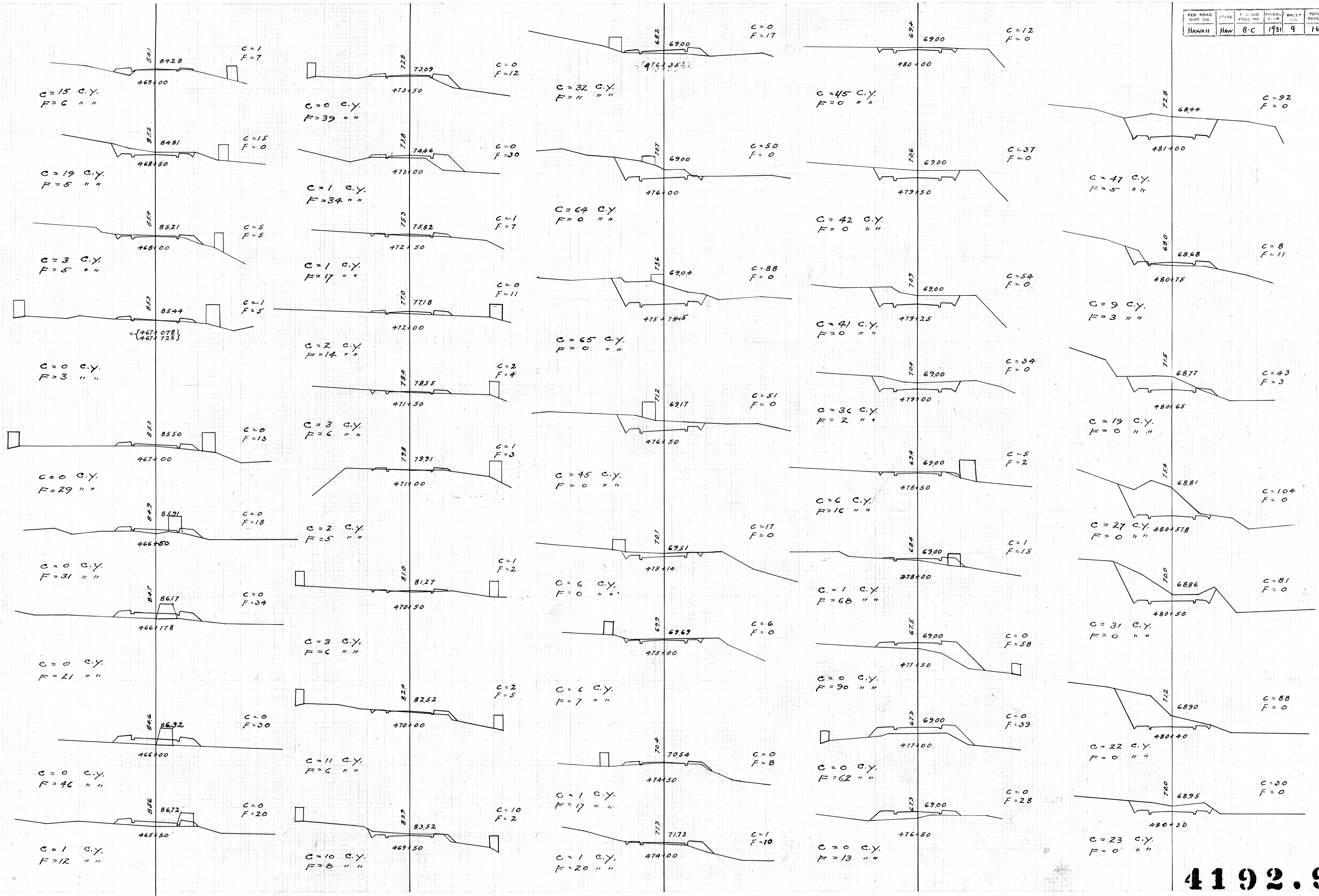
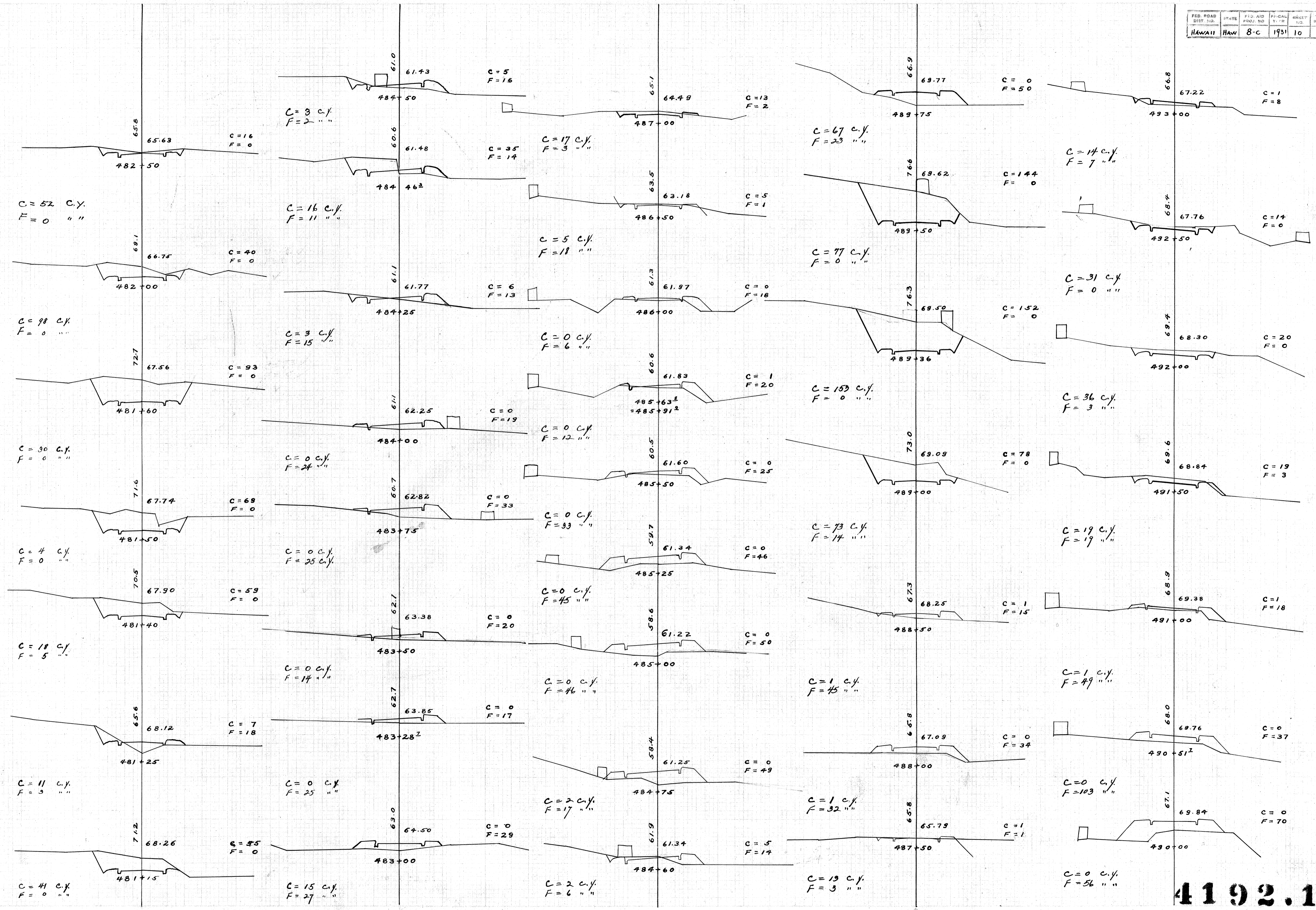


FOR SECTIONS STA. 450+95 TO 452+50 SEE SHEET NO. 16

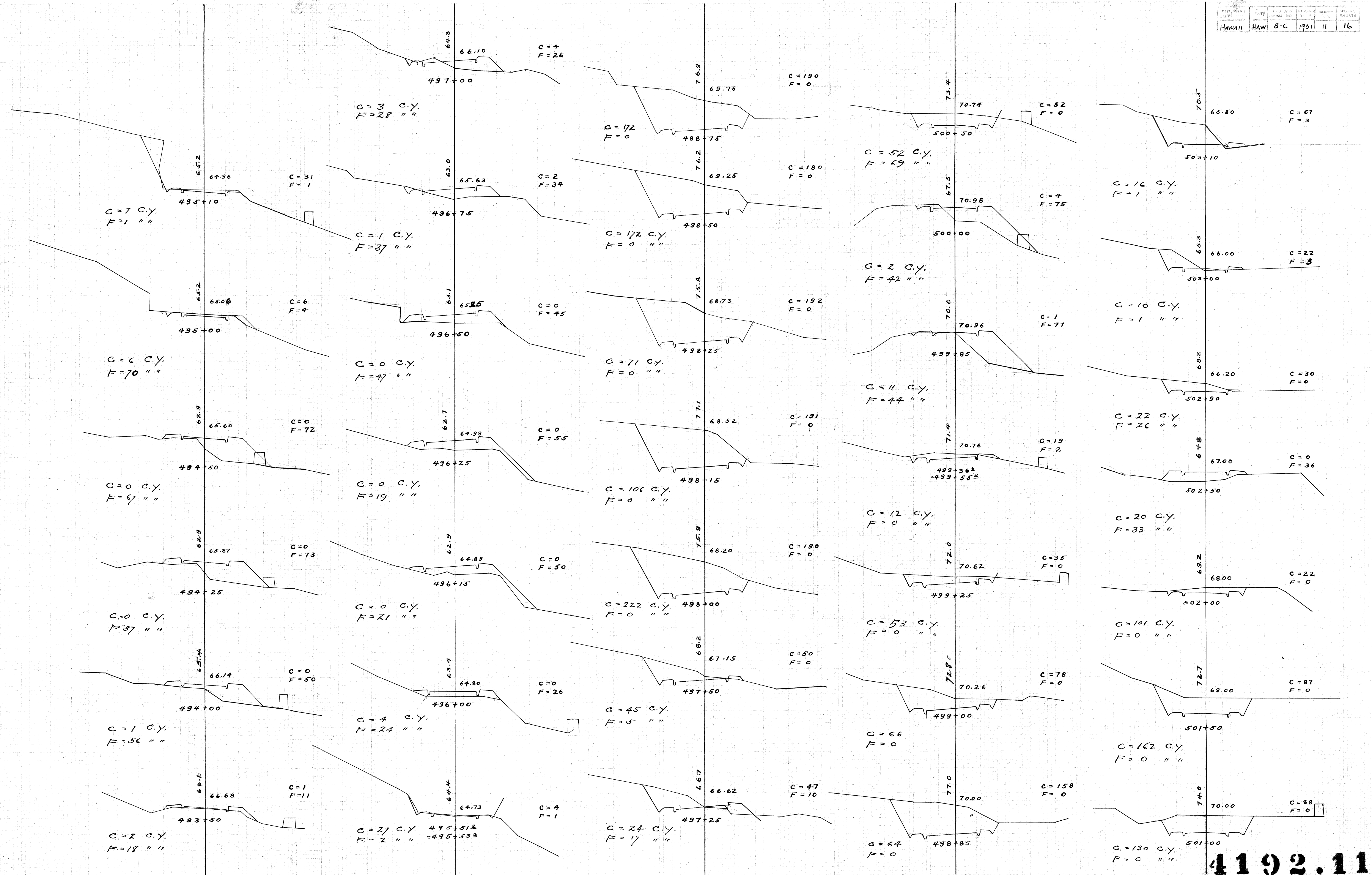
4192.S



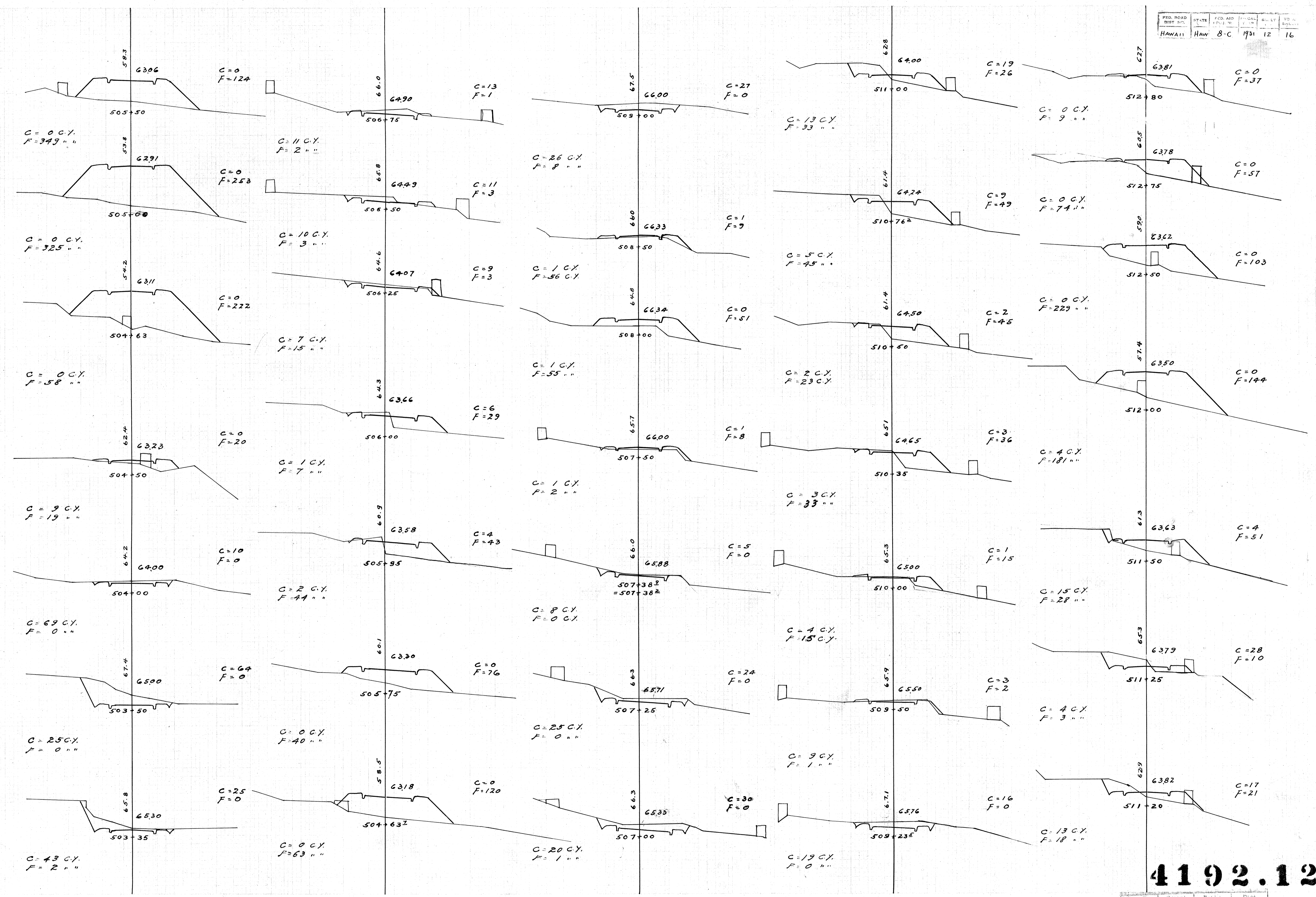
4192.9



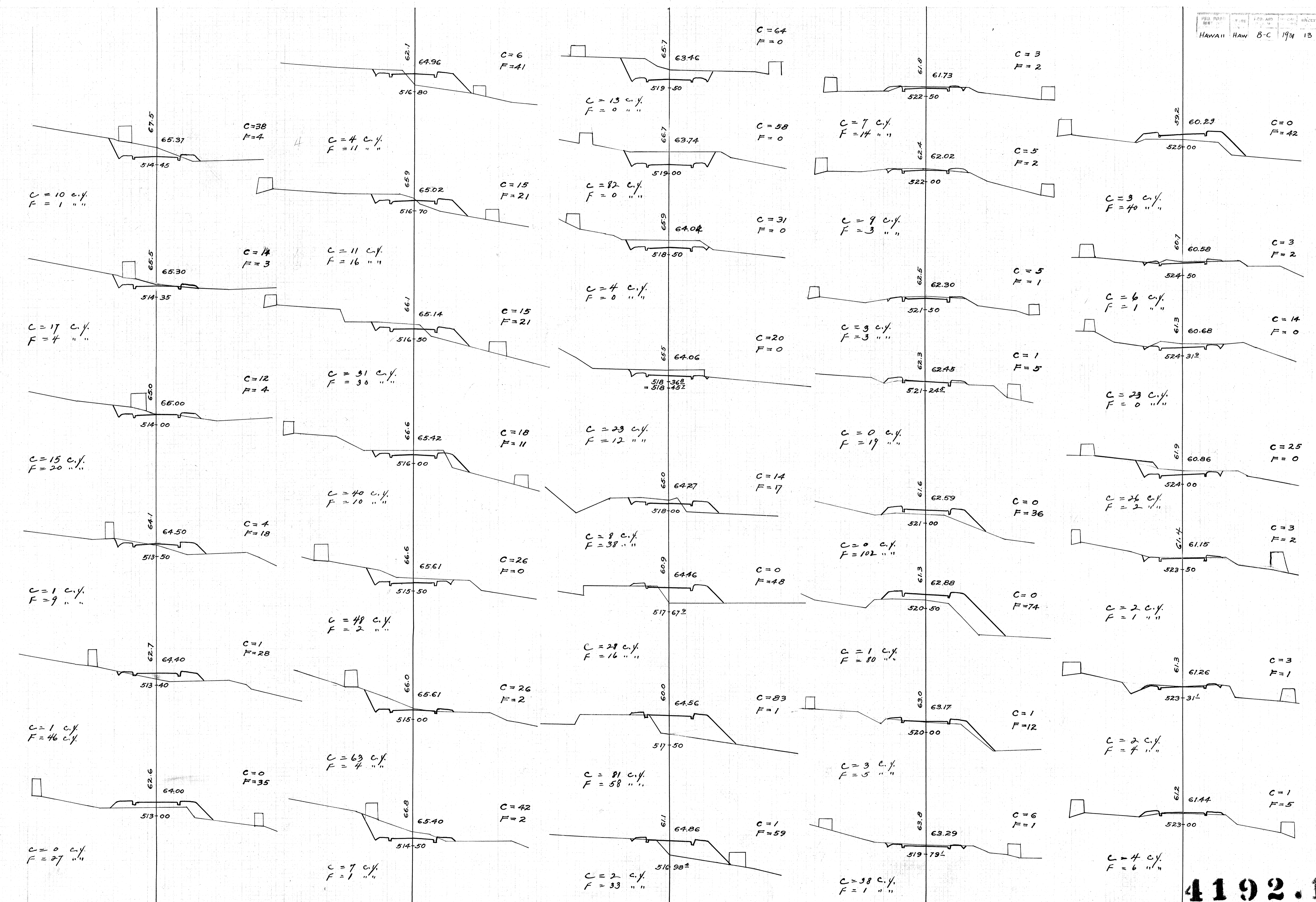
4192.10



4192.11



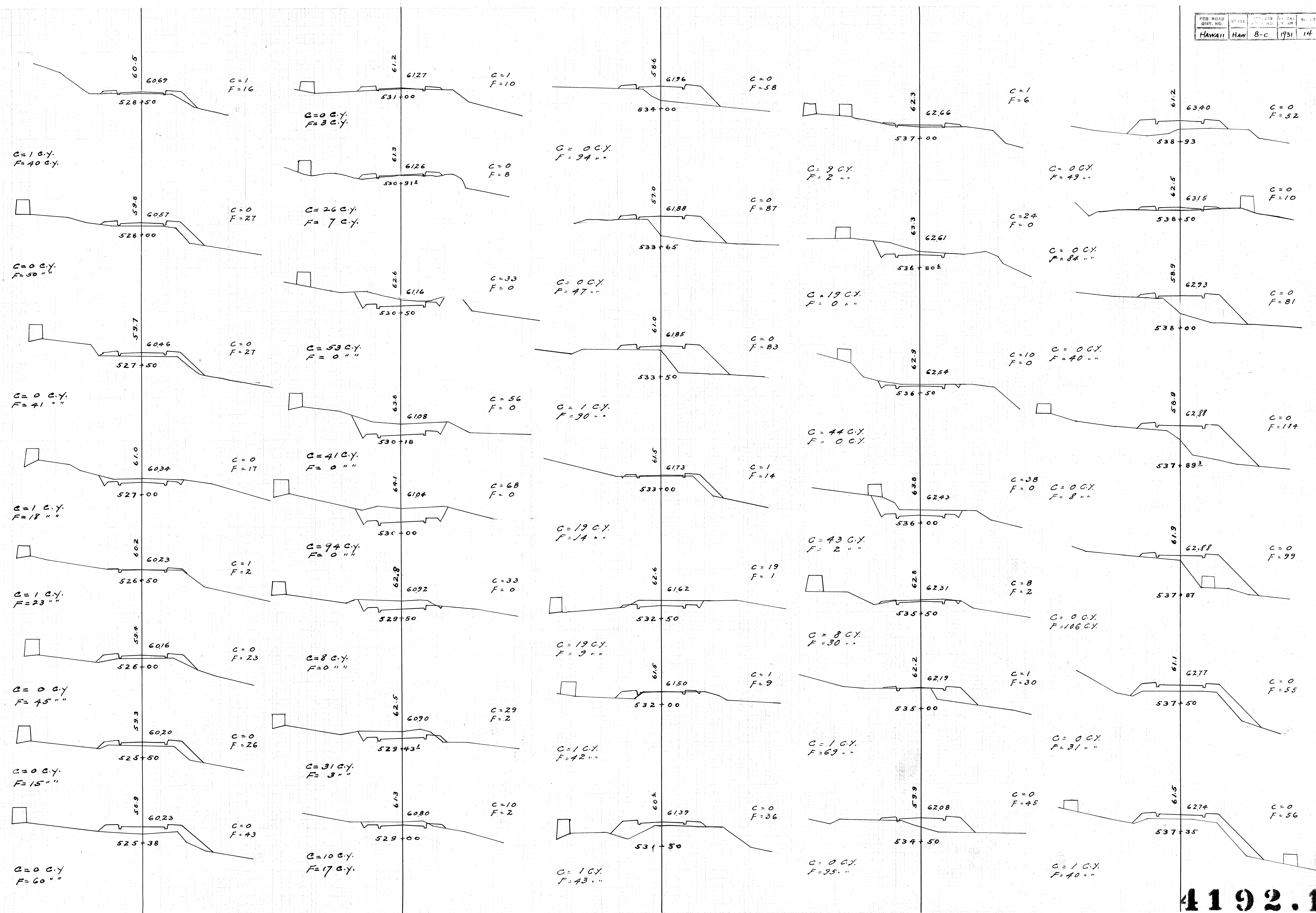
4192.12



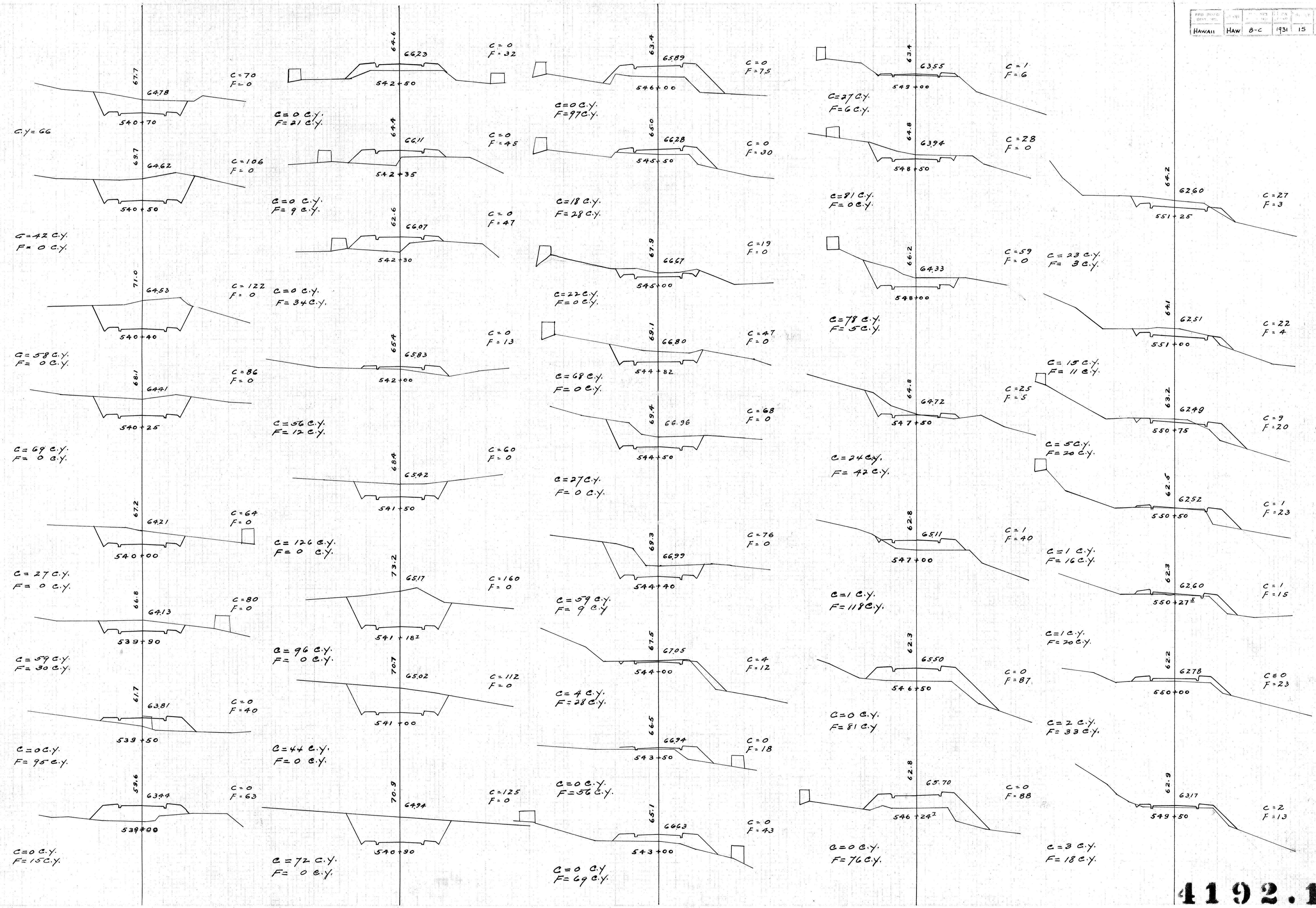
4192.13

MHC EKB BNC
 EKB BNC BLJ G MF
 EKB BNC
 EKB BNC BLJ G MF

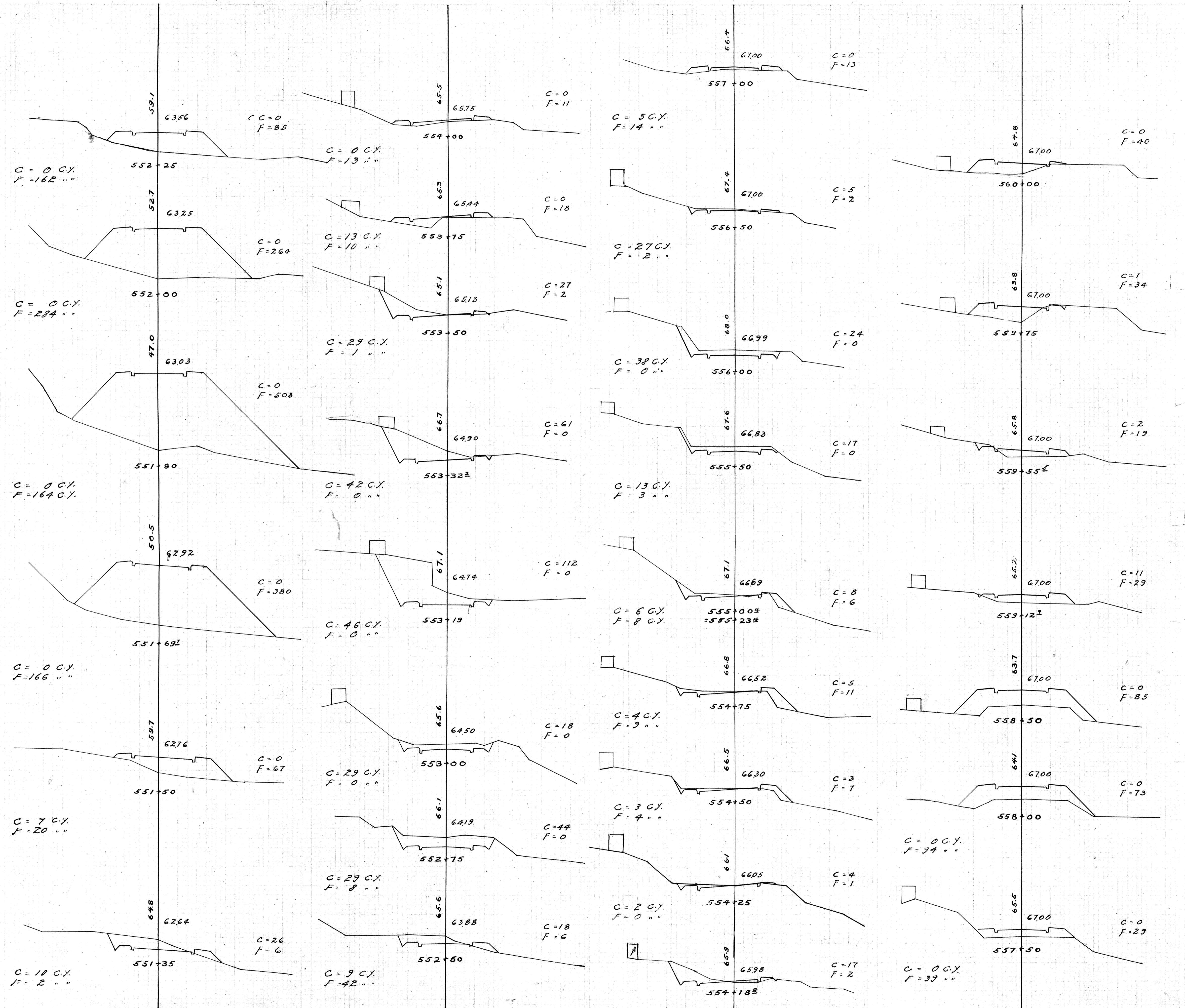
MHC EKB
 EKB BNC BLJ G MF
 EKB BNC
 EKB BNC BLJ G MF



4192.14



4192.15



REFERRED TO FROM SHEET NO. 8.

