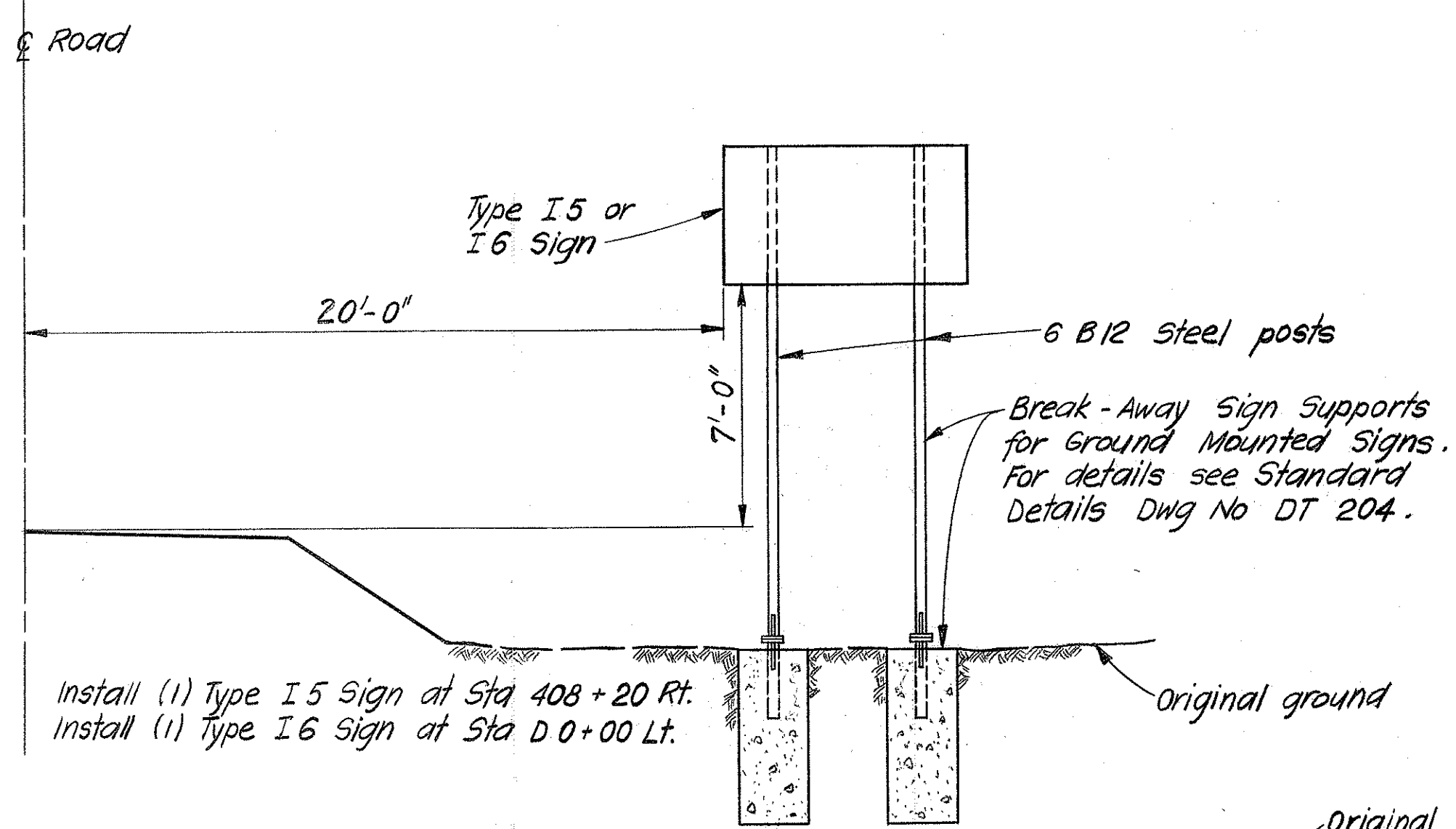
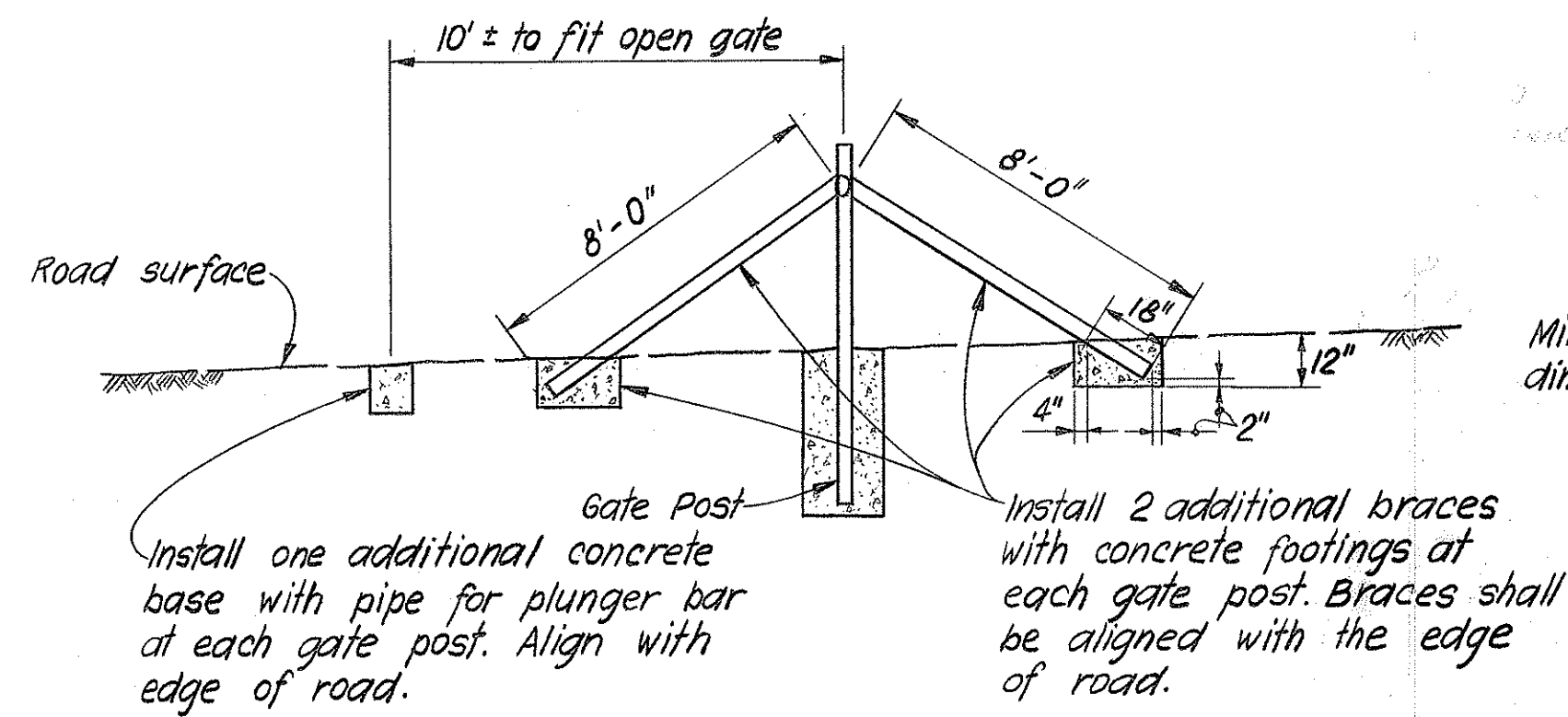


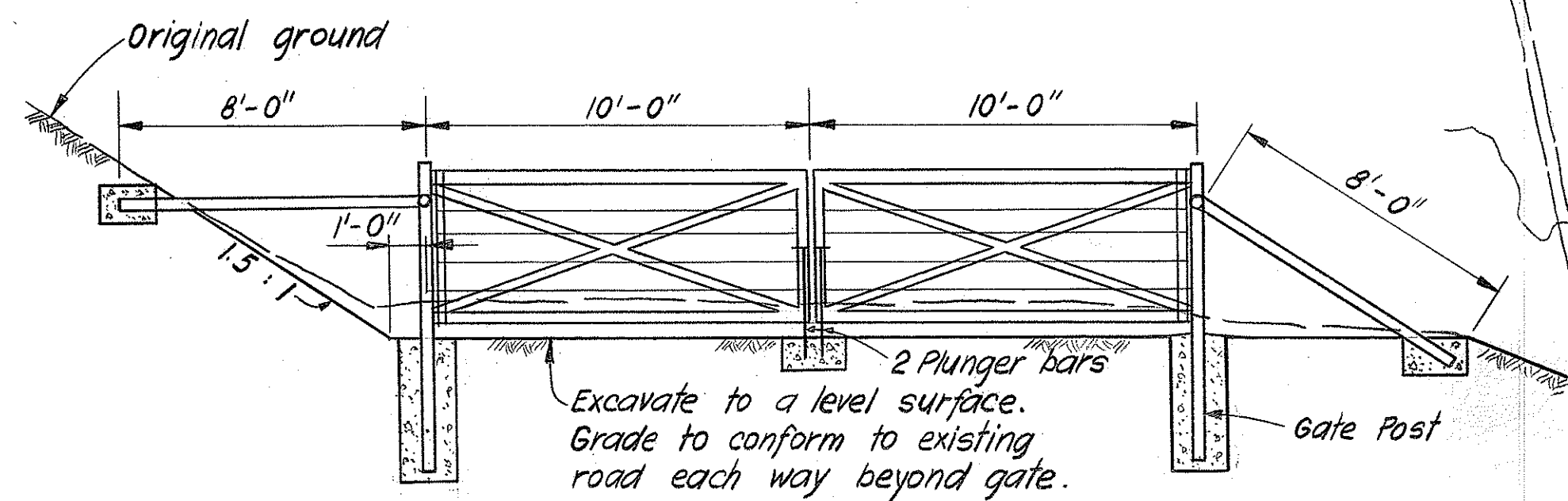
STATE	PROJ. NO.	FISCAL YEAR	SHEET NO.	TOTAL SHEETS
HAW.	BMD 66-343 PHASE I	FY 74-75	20	41



INSTALLATION DETAILS - TYPE I5 & I6
SCALE: 1/4" = 1'-0"

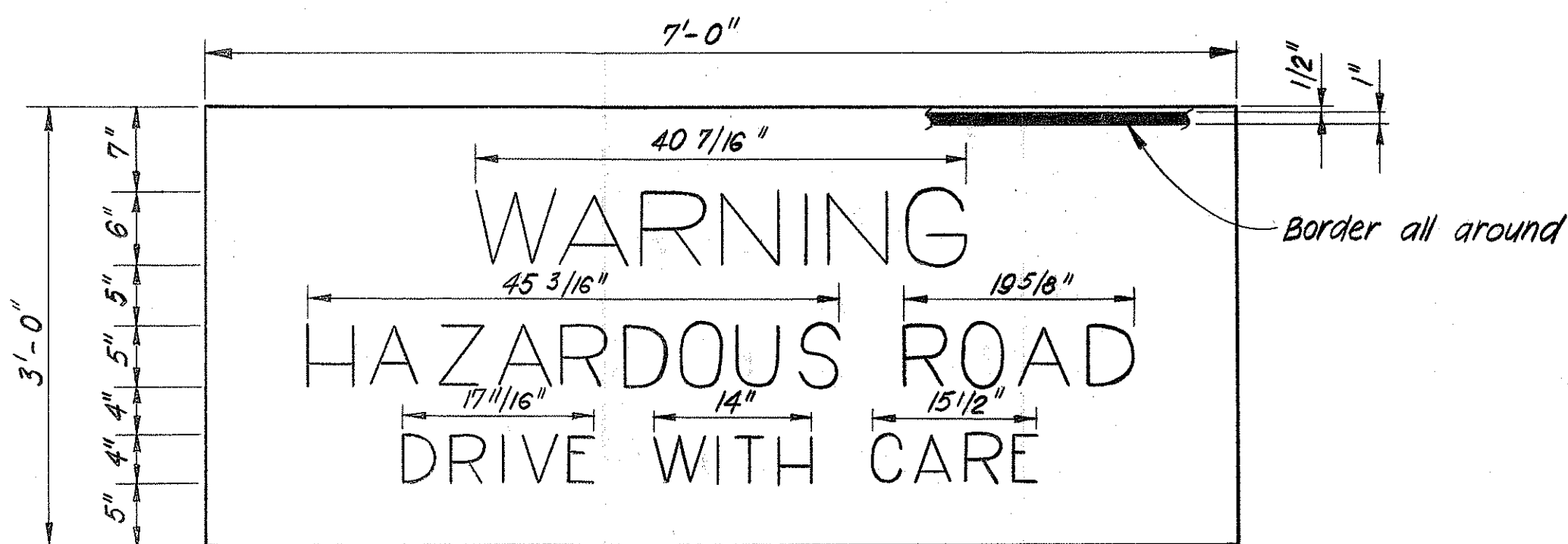


SECTION B
SCALE: 1/4" = 1'-0"

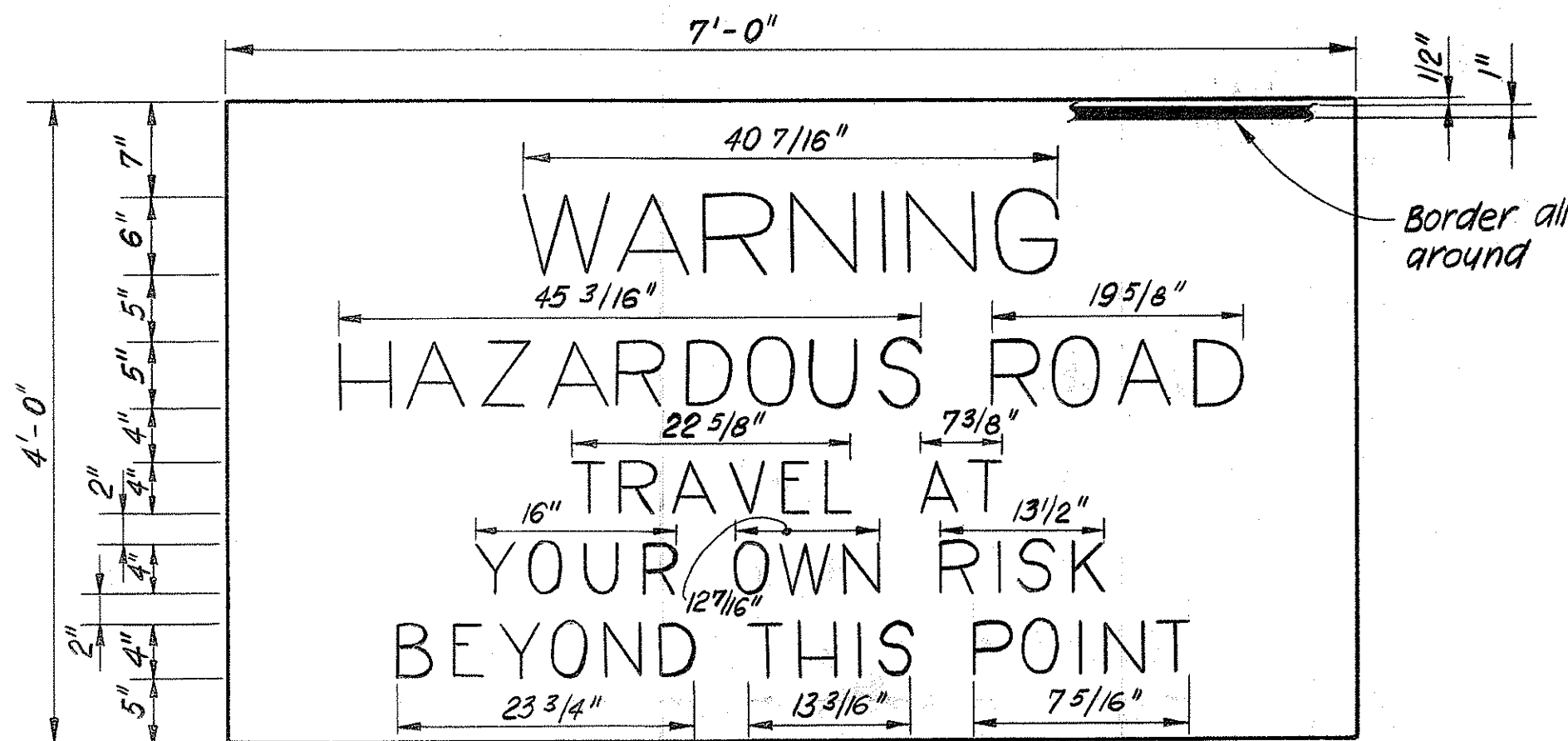


SECTION A
SCALE: 1/4" = 1'-0"

GATE DETAILS



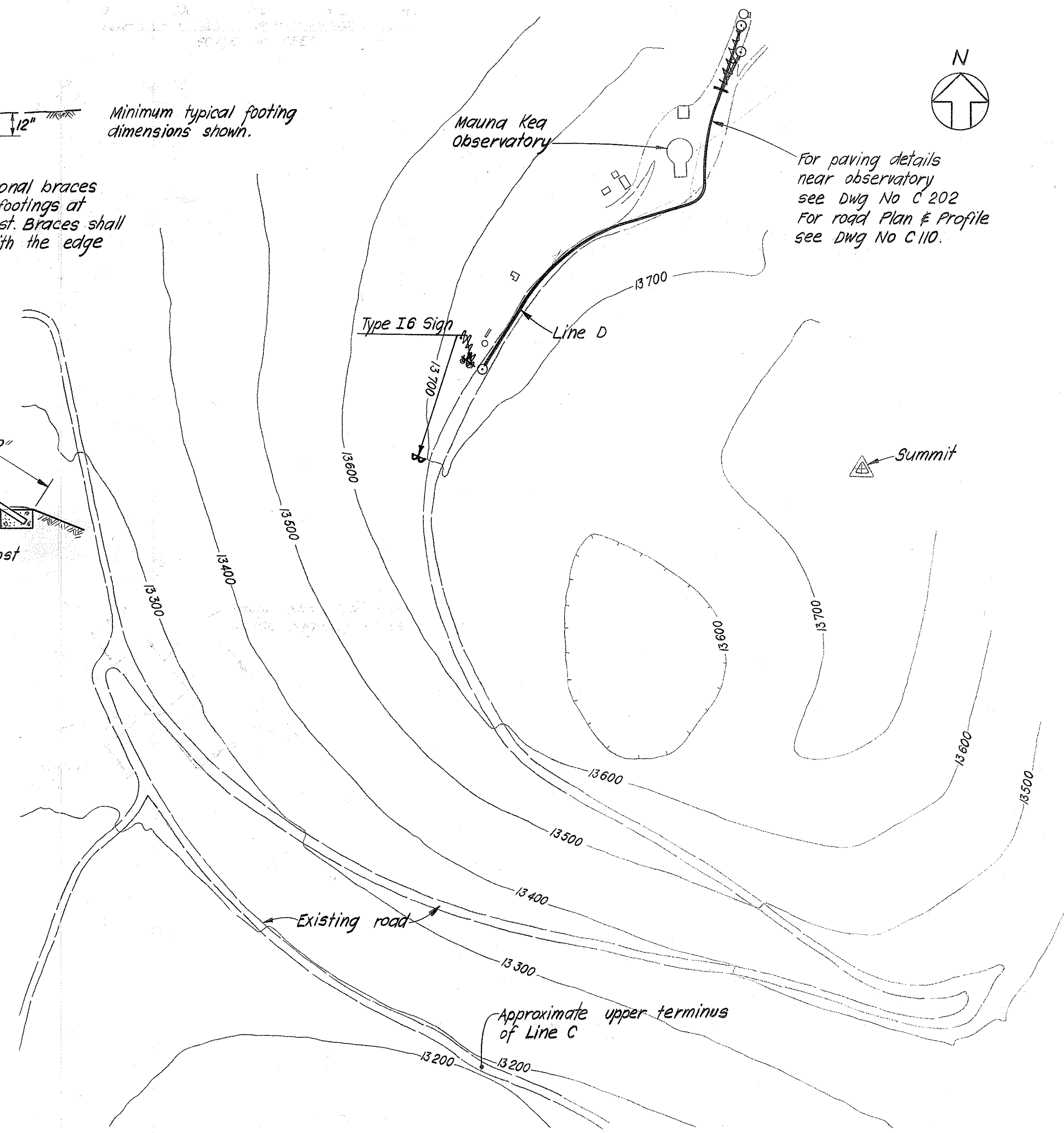
TYPE I6 SIGN DETAILS
SCALE: 1" = 1'-0"



TYPE I5 SIGN DETAILS
SCALE: 1" = 1'-0"

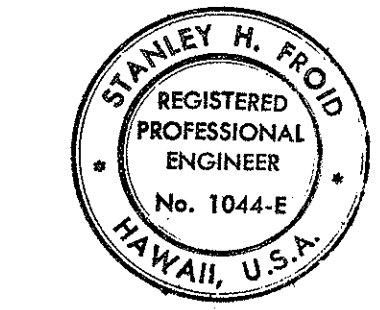
NOTES

1. Sign details shall conform to the FHWA publications "Manual on Uniform Traffic Control Devices for Streets and Highways", 1971; "Standard Alphabets for Highway Signs", 1966; and "Standard Highway Signs."
2. All letters shall be Series D.
3. All signs shall be reflectorized.
4. Type I5 and I6 signs shall have a yellow background with a black legend and a black border.
5. Signs shall have either laminated aluminum panels and shall conform to the details shown on Standard Details Dwg No DT 206, or solid aluminum extruded panels and shall conform to the details shown on Standard Details Dwg No DT 207.
6. For RM-3 Reflector Marker details and locations see Dwg No C 401.



SUMMIT AREA PLAN
SCALE: 1" = 200'

SURVEY PLOTTED BY	DATE
DRAWN BY	
CHECKED BY	
DESIGNED BY	
QUANTITIES BY	
CHECKED BY	
ORIGINAL PLAN	
NOTE BOOK	
No.	



THIS WORK WAS PREPARED BY ME OR UNDER MY SUPERVISION.
Stanley H. Froid
Signature

STATE OF HAWAII
DEPARTMENT OF TRANSPORTATION
HIGHWAYS DIVISION

SIGN & GATE DETAILS

MAUNA KEA OBSERVATORY ACCESS ROAD
PROJ. NO. BMD 66 - 343

SCALE: AS NOTED DATE: SEPT 1973

SHEET NO. 1 OF 1 SHEETS C 301