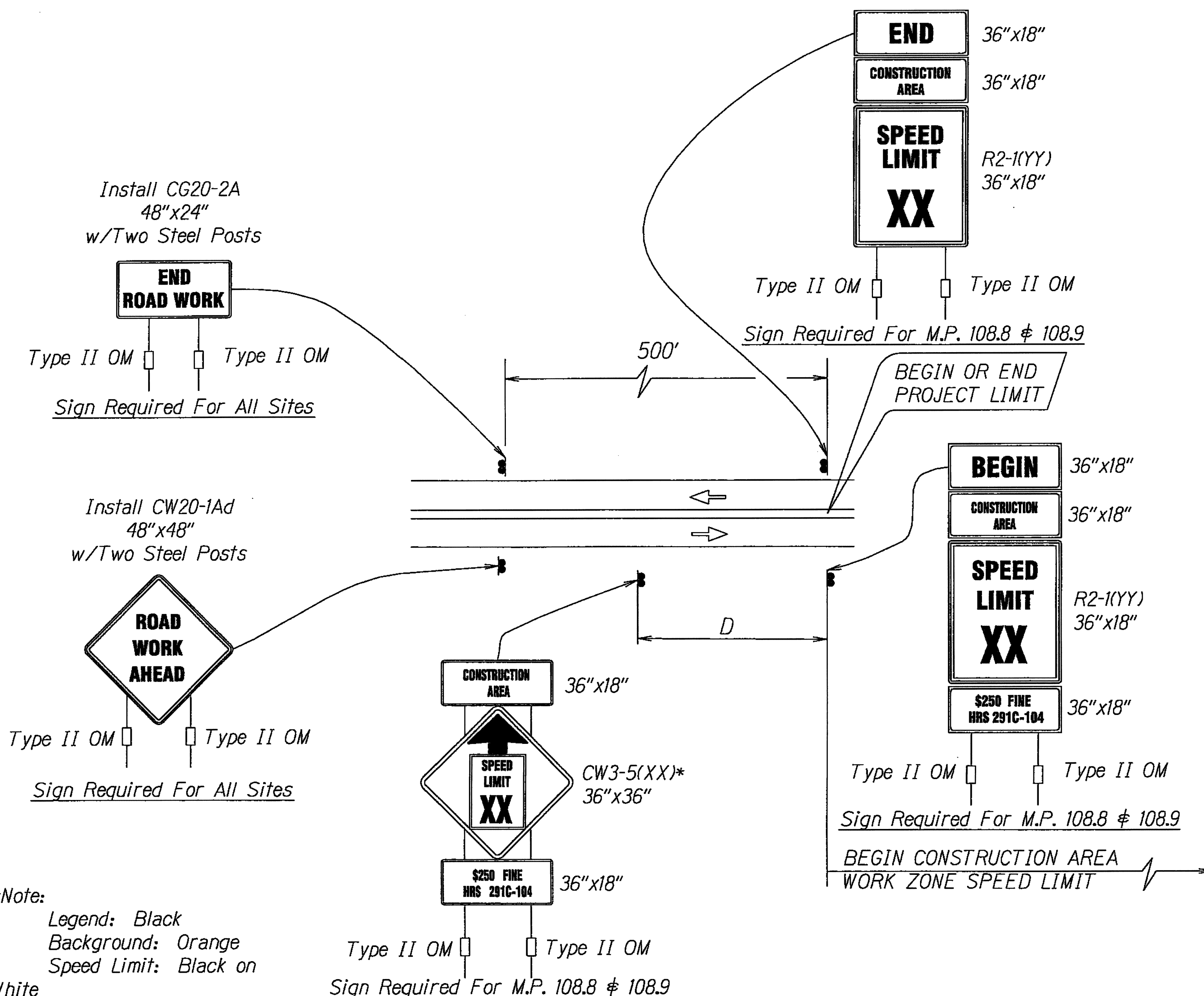


Designer Notes:

- The Work Zone Signing Plan shall be used only for high speed highways (design speeds of 50 mph or more).
- The Designer shall replace all XX, YY & D references with appropriate speed limit as indicated in Table I.
- Speed Limit YY shall be the existing posted speed.

Work Zone Notes:

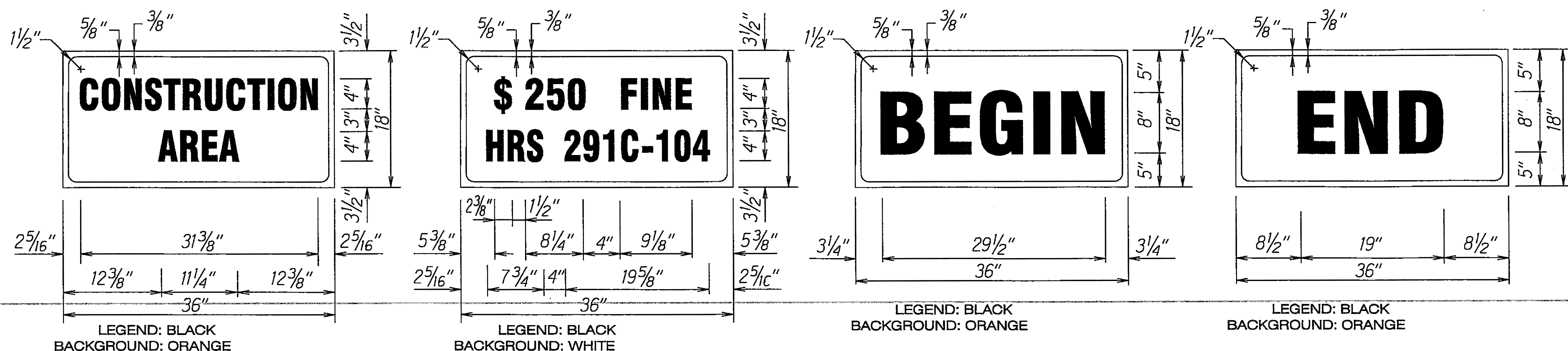
- This Work Zone Sign Plan is intended for use on long-term stationary work zones/construction phases (3 days or more). All work zones or construction phases less than 3 days duration will use Traffic Control Plans shown in Section 645 of the Special Provisions.
- All existing regulatory speed limit signs with posts within the work zone/project limits shall be removed and replaced with work zone speed limit sign assemblies R2-1(XX) and CW3-5(XX) with "CONSTRUCTION AREA" and "\$250 FINE HRS 291C-104" Supplemental Signs.
- Construction sign assemblies shall be installed on both the approaching and trailing ends of each work zone as shown on this plan.
- Each construction warning sign and work zone speed limit assembly shall have a minimum of two (2) Type II OM. Installation of each TYPE II OM shall be considered incidental to Item No. 621.7100, Construction Sign with Posts.
- Upon the completion of all physical work or as directed by the Engineer, all construction signs and work zone speed limit assemblies shall be removed. All speed limit signs and posts that were existing at the start of the project within the work zone/project within the work zone/project limits shall be restored back to their original locations and configurations.
- Placement of construction signs shall not obstruct the path of pedestrians and bicyclists.
- The removal and restoration of existing regulatory speed limit signs with new posts along with the installation, maintenance and removal of work zone speed limit sign assemblies shall be considered incidental to Item No. 621.7100, Construction Sign with Posts.



*Note:
 Legend: Black
 Background: Orange
 Speed Limit: Black on
 White

EXISTING POSTED SPEED LIMIT (MPH)	XX-NEW CONSTRUCTION AREA SPEED LIMIT (MPD)	REDUCED SPEED LIMIT SIGN SPACING TO FIRST CONSTRUCTION AREA SPEED LIMIT SIGN (FEET)
45	35	225
50	40	225
55	45	300

TYPICAL DETAIL FOR CONSTRUCTION SIGNS ON TWO LANE OR MULTILANE UNDIVIDED HIGH SPEED HIGHWAY



This work was prepared by me or under my supervision and construction of this project will be under my observation.

Marshall Lew
 signature
 4/30/12
 expiration date of the license

STATE OF HAWAII
 DEPARTMENT OF TRANSPORTATION
 HIGHWAYS DIVISION
HIGH SPEED UNDIVIDED HIGHWAY
WORK ZONE SIGNING PLAN, NOTES&DETAILS
EMERGENCY EARTHQUAKE
ROCKFALL REPAIRS
 VARIOUS LOCATIONS ON HAWAII, UNIT 2
 FEDERAL AID PROJECT NO. ER-15(20)
 Not To Scale Date: NOVEMBER 2010
 SHEET No. C-19 OF 33 SHEETS

DATE: 8/20/10
 SURVEY PLANNED BY: DIT
 DRAWN BY: DIT
 TRACED BY: DIT
 DESIGNED BY: DIT
 CHECKED BY: DIT
 ORIGINAL PLAN
 NOTE BOOK