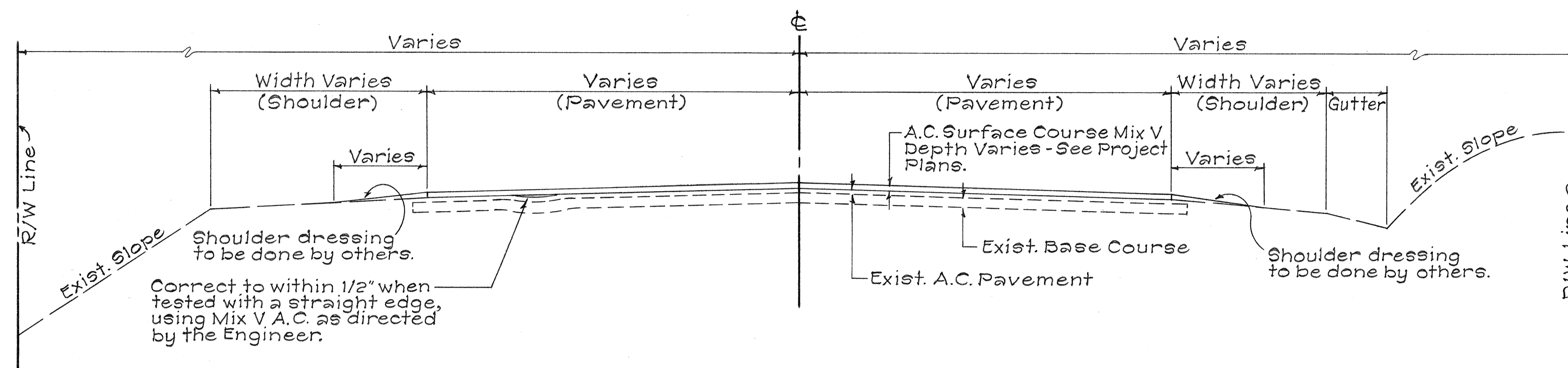


| FED. ROAD DIST. NO. | STATE | FED-AID PROJ. NO. | FISCAL YEAR | SHEET NO. | TOTAL SHEETS |
|---------------------|-------|---------------------------------------|-------------|-----------|--------------|
| HAWAII | HAW. | 11C-01-73 250A-01-73 1074-01-73 | 1973 | 3 | 14 |

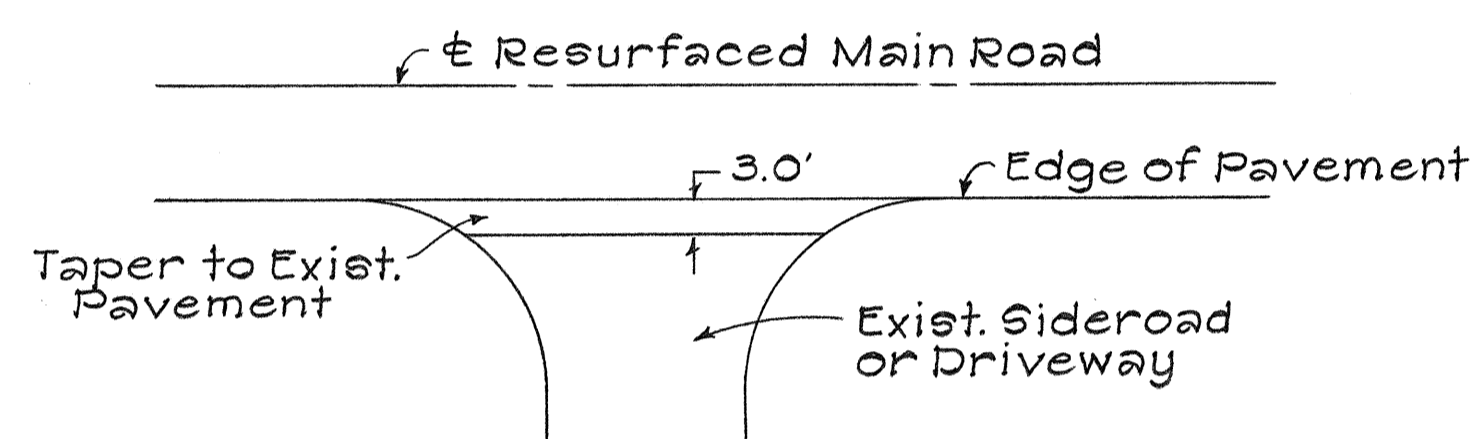
GENERAL NOTES:

- Existing pavement surface variable. Surface indicated here is not intended to represent any specific location.
- Centerline and edge of pavement striping to be done by others.
- See Project Plans for Limits of work.
- All Centerline and Reference Monuments to be referenced by others.

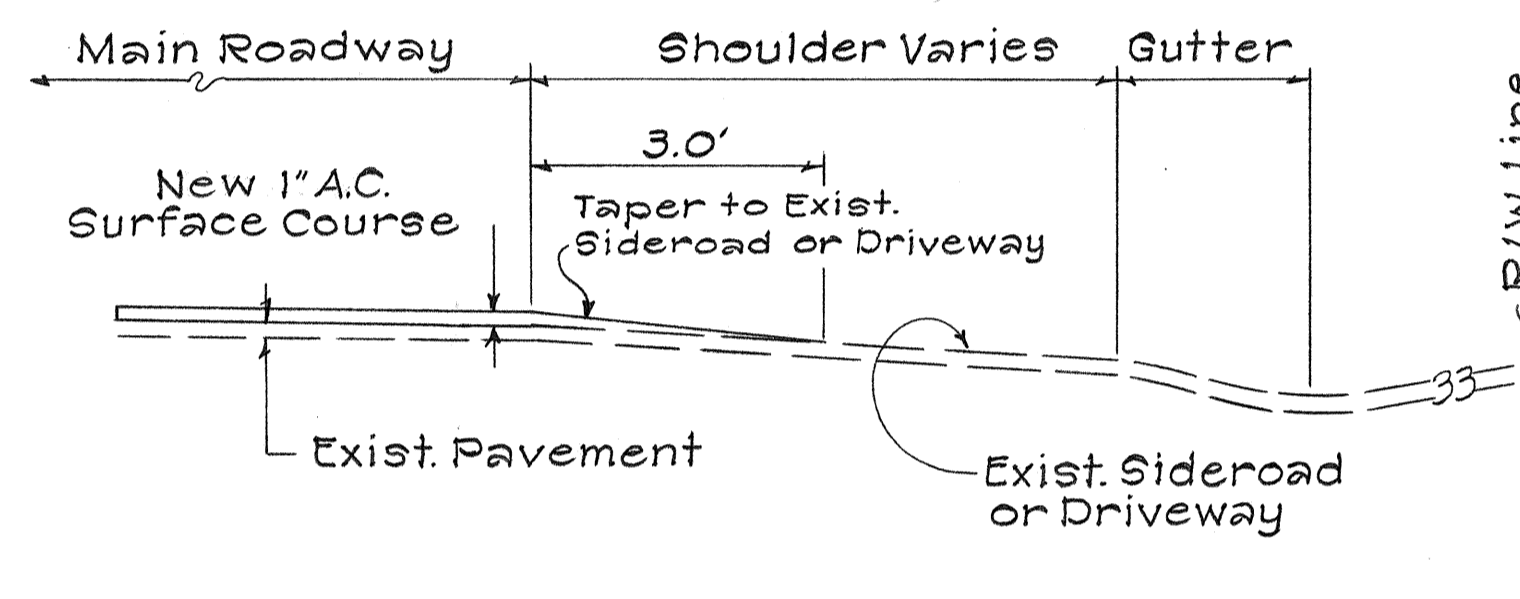


TYPICAL SECTION

Scale: 3/8" = 1'-0"



TYPICAL PLAN SIDEROAD & DRIVEWAY CONNECTION
(NOT TO SCALE)



TYPICAL SECTION SIDEROAD & DRIVEWAY CONNECTION
(NOT TO SCALE)

| | |
|-------------|-----------|
| DATE | _____ |
| DESIGNED BY | _____ |
| CHECKED BY | _____ |
| NOTE BOOK | No. _____ |

STATE OF HAWAII
DEPARTMENT OF TRANSPORTATION
HIGHWAYS DIVISION

PLANS SHOWING
TYPICAL SECTIONS
FOR
RESURFACING OF HIGHWAYS
AT VARIOUS LOCATIONS
ON ISLAND OF HAWAII

Scale: As Noted Date: October 1972

SHEET No. 1 OF 1 SHEETS